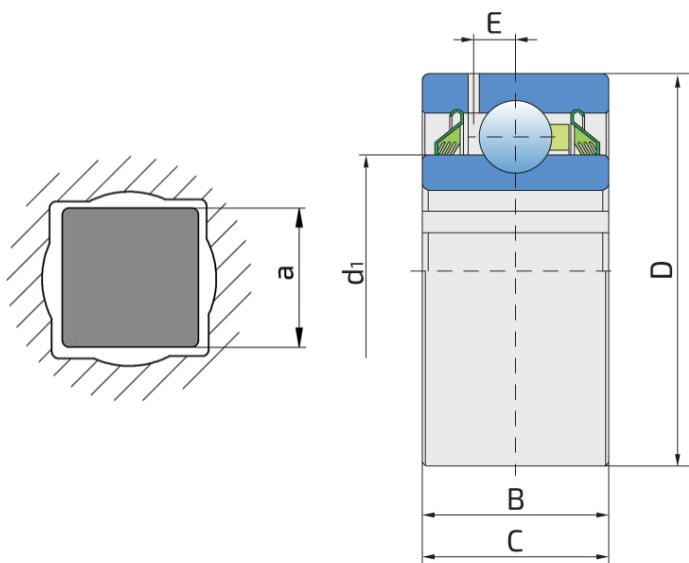


# Square Bore Series With Cylindrical Outer Ring - Relubricable Type

## GW 210PP4

Square Bore Series With Cylindrical Outer Ring - Relubricable Type



### Technical Specification

D	Outside diameter	3.5433 inch
D	Outside diameter	90 mm
B	Width inner ring	1.188 inch
B	Width inner ring	30.18 mm
C	Width outer ring	1.188 inch
C	Width outer ring	30.18 mm
d1	Outer diameter inner ring	2.461 inch
d1	Outer diameter inner ring	62.5 mm
E	Distance from raceway centre to the hole for lubrication	0.26 inch
E	Distance from raceway centre to the hole for lubrication	6.6 mm
a	Hexagonal bore	30 mm
C <sub>dyn</sub>	Dynamic load rating	35 kN
C <sub>o</sub>	Static load rating	23.2 kN
kg	Mass	1.048 kg

## Sealing

---

### T SEAL / T SEAL (2T)

3-lip seal on the both side of the bearing, provides equal protection against contamination. Recommended for application where the possibility of contamination is the same on the both side.

