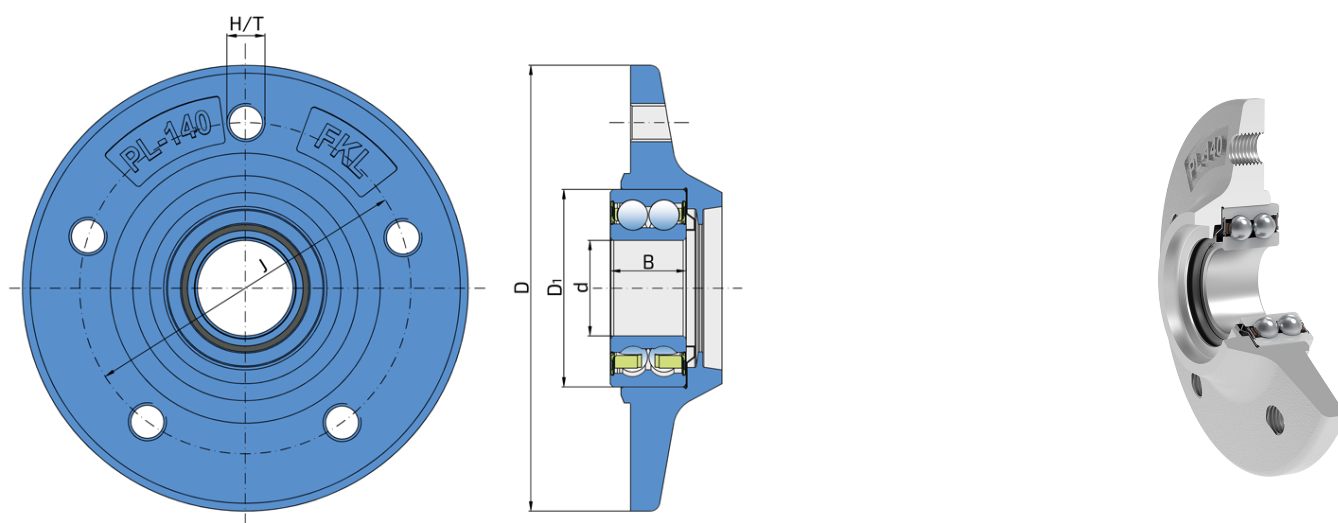


Bearing Unit

PL-140

Bearing Unit
Disc Harrow



Technical Specification

J	Pitch circle diameter	104 mm
D	Outside diameter	140 mm
D1	Outside diameter	62 mm
d	Bore diameter	30 mm
H/T	Hole/Thread	M12 mm
L	Total length	35 mm
B	Width inner ring	23.8 mm
kg	Mass	1.5 kg
Cdyn	Dynamic load rating	31 kN
Co	Static load rating	22.2 kN
Pu	Fatigue load limit	0.932 kN

Sealing

RS SEAL / RS SEAL+METAL SHIELD

RS seal on the base side and RS seal with Metal shield on the front side which is exposed to the environment.

