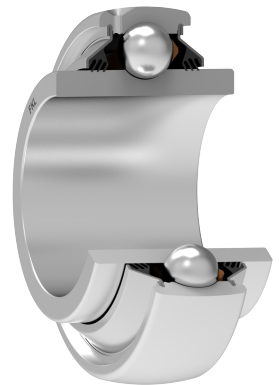
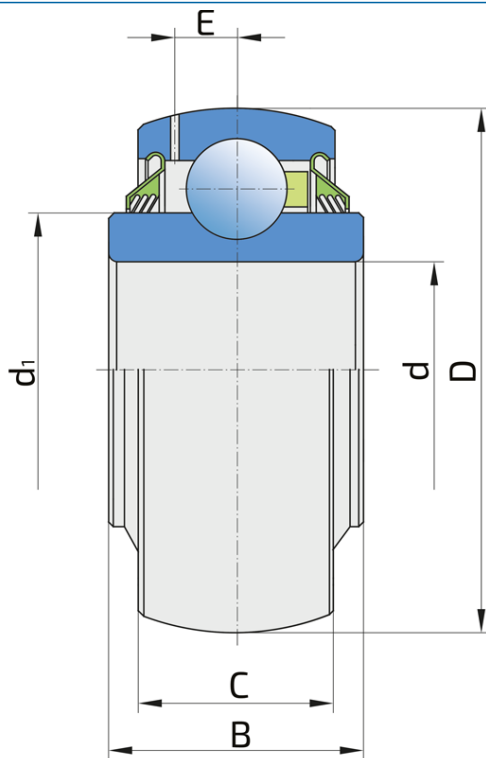


Round Bore Series With Spherical Outer Ring - Relubricable Type

GW 211PPB15

Round Bore Series With Spherical Outer Ring - Relubricable Type



Technical Specification

d	Bore diameter	2.1882 inch
d	Bore diameter	55.58 mm
D	Outside diameter	3.937 inch
D	Outside diameter	100 mm
B	Width inner ring	2.187 inch
B	Width inner ring	55.55 mm
C	Width outer ring	0.984 inch
C	Width outer ring	25 mm
d1	Outer diameter inner ring	2.72 inch
d1	Outer diameter inner ring	69.1 mm
E	Distance from raceway centre to the hole for lubrication	0.28 inch
E	Distance from raceway centre to the hole for lubrication	7.1 mm
C _{dyn}	Dynamic load rating	43.5 kN
C _o	Static load rating	29 kN
kg	Mass	0.99 kg

Sealing

T SEAL / T SEAL (2T)

3-lip seal on the both side of the bearing, provides equal protection against contamination. Recommended for application where the possibility of contamination is the same on the both side.

