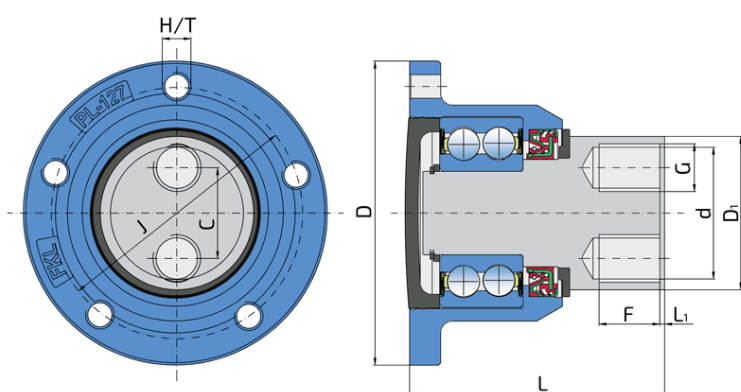


# Bearing Unit

## PL-127-G

Bearing Unit  
Disc Harrow



### Technical Specification

J	Pitch circle diameter	106 mm
D	Outside diameter	127.3 mm
D1	Shaft outside diameter	64.2 mm
d	Counterbore diameter	55.7 mm
C	Distance between holes	38 mm
H/T	Hole/Thread	M12 mm
G	Internal Thread	2xM20 mm
L	Total length	106.5 mm
L1	Counterbore depth	2 mm
F	Length of threaded part	25 mm
kg	Mass	3.81 kg
Cdyn	Dynamic load rating	48.8 kN
Co	Static load rating	35.3 kN
Pu	Fatigue load limit	1.483 kN

## Sealing

### PLASTIC COVER+ RS SEAL / RS SEAL+DIRTBLOCK SEAL+FORGED COVER PLATE

Plastic cover and RS seal on the base side and RS seal, Dirtblock seal and Forged cover plate on the front side which is exposed to contaminants.

Plastic cover and RS seal together with attached disc eliminates the possibility of contamination from the base side.

Dirtblock seal is designed for hard working conditions at unfriendly environment. Half metal - half rubber outside diameter provides reliable seal retention in the bore and improves sealing performance. Inside diameter is covered by rubber and improves sealing performance and easy installation. Forged cover plate is additional, strong protection of the Dirtblock seal against mechanical damage.

This sealing provides maximum protection against liquid or solid contaminants, which significantly extends bearing service life.

