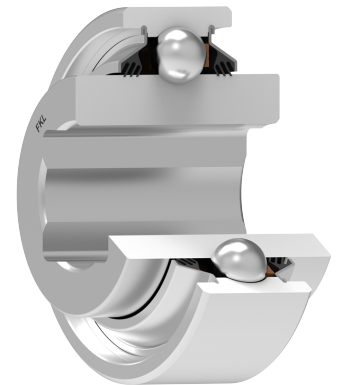
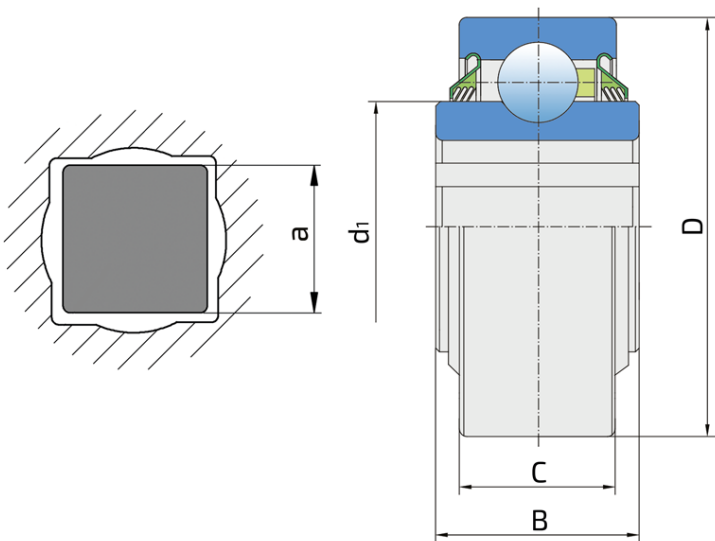
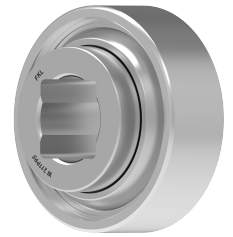


Square Bore Series With Cylindrical Outer Ring - Non-Relubricable Type

W 211PP5

Square Bore Series With Cylindrical Outer Ring - Non-Relubricable Type



Technical Specification

D	Outside diameter	4 inch
D	Outside diameter	101.6 mm
B	Width inner ring	1.75 inch
B	Width inner ring	44.5 mm
C	Width outer ring	1.437 inch
C	Width outer ring	36.5 mm
d1	Outer diameter inner ring	2.72 inch
d1	Outer diameter inner ring	69.1 mm
a	Shaft size	1.5315 inch
a	Shaft size	38.9 mm
C _{dyn}	Dynamic load rating	43.5 kN
C _o	Static load rating	29 kN
kg	Mass	1.58 kg

Sealing

T SEAL / T SEAL (2T)

3-lip seal on the both side of the bearing, provides equal protection against contamination. Recommended for application where the possibility of contamination is the same on the both side.

