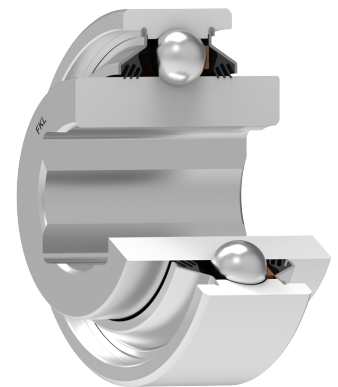
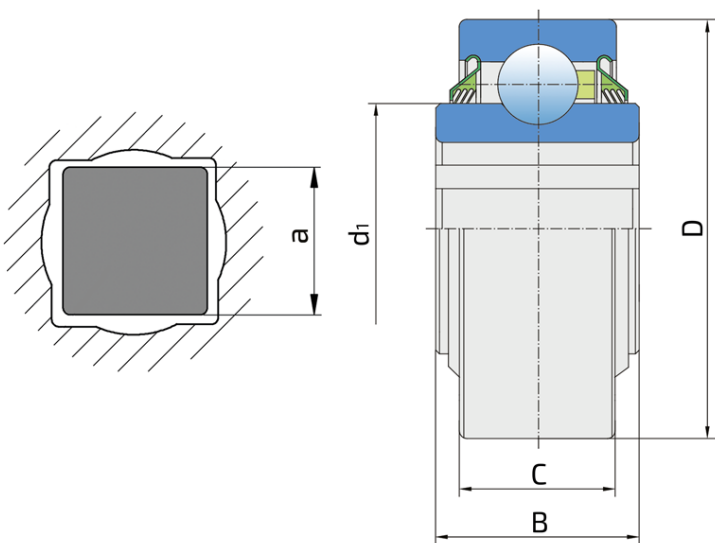
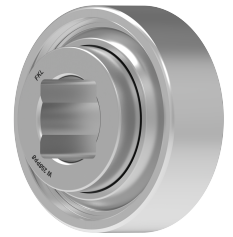


Square Bore Series With Cylindrical Outer Ring - Non-Relubricable Type

W 208PP8

Square Bore Series With Cylindrical Outer Ring - Non-Relubricable Type



Technical Specification

D	Outside diameter	3.1496 inch
D	Outside diameter	80 mm
B	Width inner ring	1.437 inch
B	Width inner ring	36.5 mm
C	Width outer ring	1.185 inch
C	Width outer ring	30.1 mm
d1	Outer diameter inner ring	2.047 inch
d1	Outer diameter inner ring	52 mm
a	Shaft size	1.1811 inch
a	Shaft size	30 mm
C _{dyn}	Dynamic load rating	32.5 kN
C _o	Static load rating	19.8 kN
kg	Mass	0.75 kg

Sealing

T SEAL / T SEAL (2T)

3-lip seal on the both side of the bearing, provides equal protection against contamination. Recommended for application where the possibility of contamination is the same on the both side.

