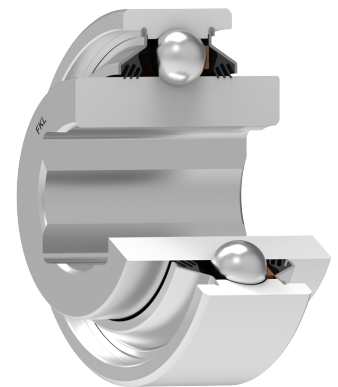
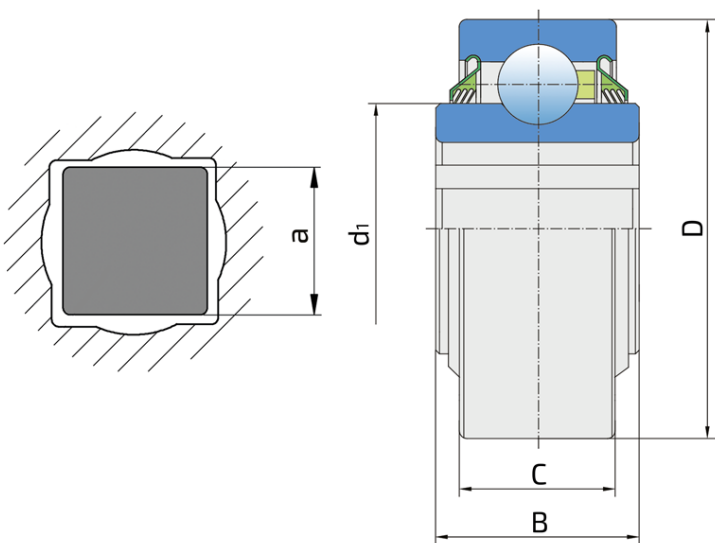
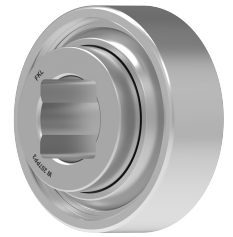


Square Bore Series With Cylindrical Outer Ring - Non-Relubricable Type

W 207PP3

Square Bore Series With Cylindrical Outer Ring - Non-Relubricable Type



Technical Specification

D	Outside diameter	2.8346 inch
D	Outside diameter	72 mm
B	Width inner ring	1.772 inch
B	Width inner ring	45 mm
C	Width outer ring	0.945 inch
C	Width outer ring	24 mm
d1	Outer diameter inner ring	1.815 inch
d1	Outer diameter inner ring	46.1 mm
a	Hexagonal bore	25 mm
C _{dyn}	Dynamic load rating	25.5 kN
C _o	Static load rating	15.3 kN
kg	Mass	0.75 kg

Sealing

T SEAL / T SEAL (2T)

3-lip seal on the both side of the bearing, provides equal protection against contamination. Recommended for application where the possibility of contamination is the same on the both side.

