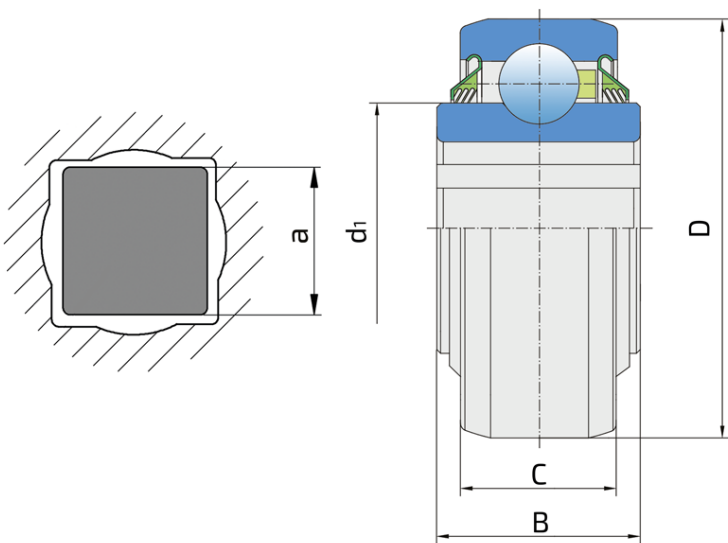


Square Bore Series With Spherical Outer Ring - Non-Relubricable Type

W 211PPB6

Square Bore Series With Spherical Outer Ring - Non-Relubricable Type



Technical Specification

| | | |
|------------------|---------------------------|-------------|
| D | Outside diameter | 4.0772 inch |
| D | Outside diameter | 103.56 mm |
| B | Width inner ring | 1.75 inch |
| B | Width inner ring | 44.5 mm |
| C | Width outer ring | 1.437 inch |
| C | Width outer ring | 36.5 mm |
| d1 | Outer diameter inner ring | 2.72 inch |
| d1 | Outer diameter inner ring | 69.1 mm |
| a | Shaft size | 1.5315 inch |
| a | Shaft size | 38.9 mm |
| C _{dyn} | Dynamic load rating | 43.5 kN |
| C _o | Static load rating | 29 kN |
| kg | Mass | 1.74 kg |

Sealing

T SEAL / T SEAL (2T)

3-lip seal on the both side of the bearing, provides equal protection against contamination. Recommended for application where the possibility of contamination is the same on the both side.

