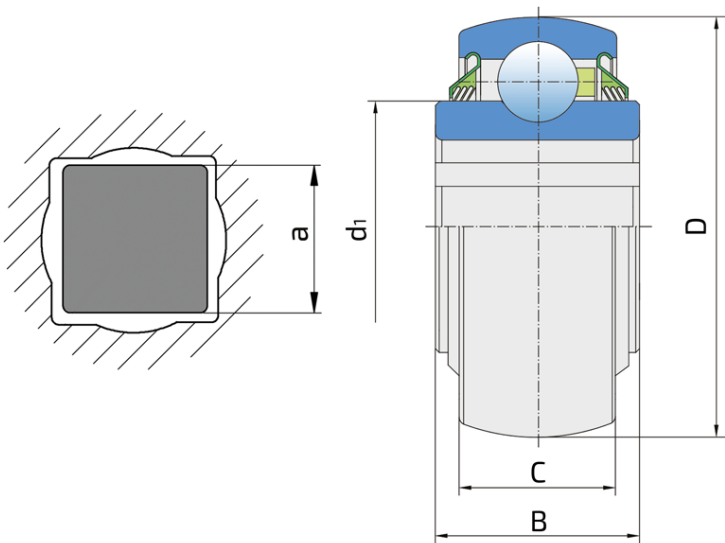


Square Bore Series With Spherical Outer Ring - Non-Relubricable Type

W 209PPB8

Square Bore Series With Spherical Outer Ring - Non-Relubricable Type



Technical Specification

| | | |
|------------------|---------------------------|-------------|
| D | Outside diameter | 3.3465 inch |
| D | Outside diameter | 85 mm |
| B | Width inner ring | 1.438 inch |
| B | Width inner ring | 36.5 mm |
| C | Width outer ring | 0.748 inch |
| C | Width outer ring | 19 mm |
| d1 | Outer diameter inner ring | 2.228 inch |
| d1 | Outer diameter inner ring | 56.6 mm |
| a | Shaft size | 1.2913 inch |
| a | Shaft size | 32.8 mm |
| C _{dyn} | Dynamic load rating | 32.5 kN |
| C _o | Static load rating | 20.4 kN |
| kg | Mass | 0.75 kg |

Sealing

T SEAL / T SEAL (2T)

3-lip seal on the both side of the bearing, provides equal protection against contamination. Recommended for application where the possibility of contamination is the same on the both side.

