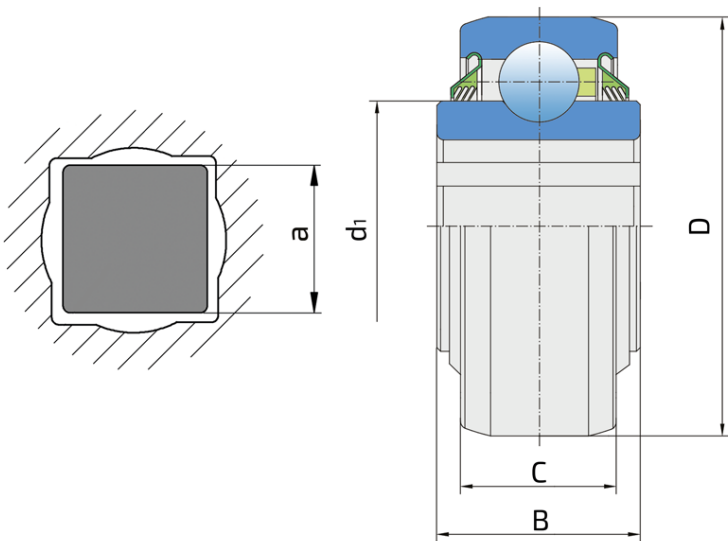
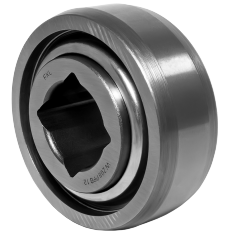


Square Bore Series With Spherical Outer Ring - Non-Relubricable Type

W 208PPB12

Square Bore Series With Spherical Outer Ring - Non-Relubricable Type



Technical Specification

D	Outside diameter	3.3759 inch
D	Outside diameter	85.75 mm
B	Width inner ring	1.438 inch
B	Width inner ring	36.5 mm
C	Width outer ring	1.188 inch
C	Width outer ring	30.18 mm
d1	Outer diameter inner ring	2.047 inch
d1	Outer diameter inner ring	52 mm
a	Shaft size	1.1811 inch
a	Shaft size	30 mm
kg	Mass	0.9 kg
C _{dyn}	Dynamic load rating	32.5 kN
C _o	Static load rating	19.8 kN
P _u	Fatigue load limit	0.832 kN

Sealing

T SEAL / T SEAL (2T)

3-lip seal on the both side of the bearing, provides equal protection against contamination. Recommended for application where the possibility of contamination is the same on the both side.

