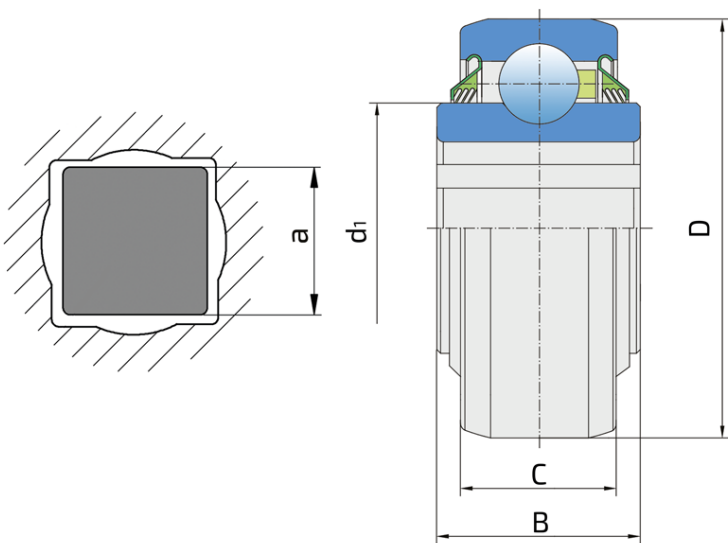


# Square Bore Series With Spherical Outer Ring - Non-Relubricable Type

## W 208PPB11

Square Bore Series With Spherical Outer Ring - Non-Relubricable Type



### Technical Specification

D	Outside diameter	3.3759 inch
D	Outside diameter	85.75 mm
B	Width inner ring	1.438 inch
B	Width inner ring	36.5 mm
C	Width outer ring	1.185 inch
C	Width outer ring	30.1 mm
d1	Outer diameter inner ring	2.047 inch
d1	Outer diameter inner ring	52 mm
a	Shaft size	0.9055 inch
a	Shaft size	23 mm
C <sub>dyn</sub>	Dynamic load rating	32.5 kN
C <sub>o</sub>	Static load rating	19.8 kN
kg	Mass	1 kg
P <sub>u</sub>	Fatigue load limit	0.832 kN

## Sealing

---

### T SEAL / T SEAL (2T)

3-lip seal on the both side of the bearing, provides equal protection against contamination. Recommended for application where the possibility of contamination is the same on the both side.

