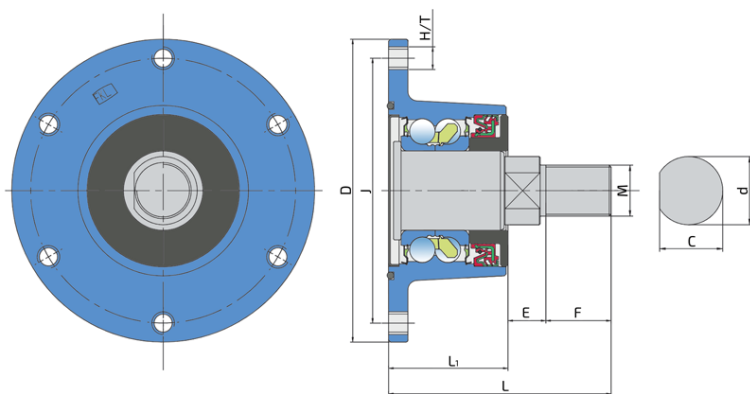


# Maintenance-Free Bearing With Integrated Flange For Harsh Tillage

## IL60-140/6T-M27

Maintenance-Free Bearing With Integrated Flange For Harsh Tillage  
Disc Harrow



### Technical Specification

J	Pitch circle diameter	140 mm
D	Outside diameter	160 mm
H/T	Hole/Thread	6xM12x1.25 mm
d	Bore diameter	36 mm
C	D-shape hole cut out dimension	33.5 mm
M	Outer Thread	M27x2 mm
L	Total length	117.5 mm
L1	Total flange length	63 mm
E	Length of D shape	21 mm
F	Length of threaded part	33.5 mm
kg	Mass	4.4 kg
Cdyn	Dynamic load rating	66.35 kN
Co	Static load rating	56.5 kN
Pu	Fatigue load limit	2.37 kN

## Sealing

### O-RING+ SHEET METAL SHIELD+S SEAL / S SEAL+DIRTBLOCK SEAL+FORGED COVER PLATE

O-ring, Sheet metal shield and S seal on the base side and S seal, Dirtblock seal with Forged cover plate on the front side which is exposed to contaminants.

O-ring, Sheet metal shield and S seal together with attached disc eliminates the possibility of contamination from the base side.

Dirtblock seal is designed for hard working condition at unfriendly environment. Half metal - half rubber outside diameter provides reliable seal retention in the bore and improves sealing performance. Inside diameter is covered by rubber and improves sealing performance and easy installation. Forged cover plate is additional, strong protection of the Dirtblock seal against mechanical damage.

This sealing provides maximum protection against liquid or solid contaminants, which significantly extends bearing service life.

