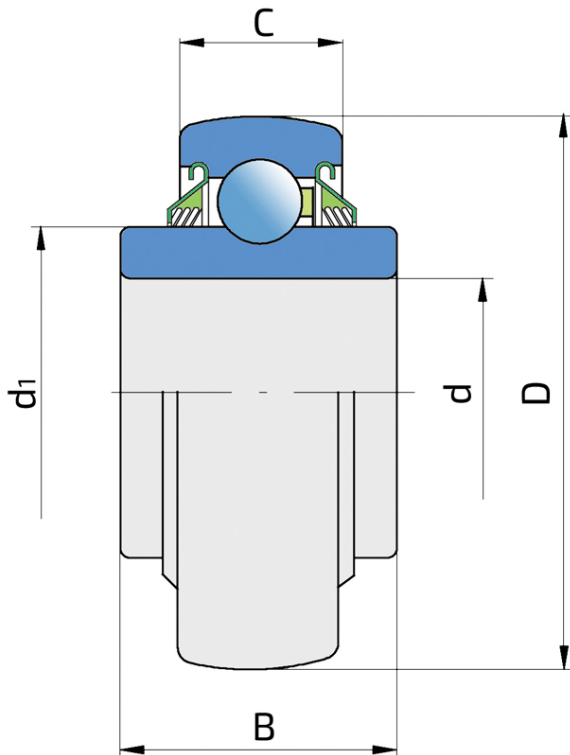


Round Bore Series With Spherical Outer Ring - Non-Relubricable Type

W 208PPB2

Round Bore Series With Spherical Outer Ring - Non-Relubricable Type



Technical Specification

d	Bore diameter	1.5004 inch
d	Bore diameter	38.11 mm
D	Outside diameter	3.1496 inch
D	Outside diameter	80 mm
B	Width inner ring	1.691 inch
B	Width inner ring	42.96 mm
C	Width outer ring	0.709 inch
C	Width outer ring	18 mm
d1	Outer diameter inner ring	2.047 inch
d1	Outer diameter inner ring	52 mm
kg	Mass	0.72 kg
C _{dyn}	Dynamic load rating	32.5 kN
C _o	Static load rating	19.8 kN
P _u	Fatigue load limit	0.832 kN

Sealing

T SEAL / T SEAL (2T)

3-lip seal on the both side of the bearing, provides equal protection against contamination. Recommended for application where the possibility of contamination is the same on the both side.

