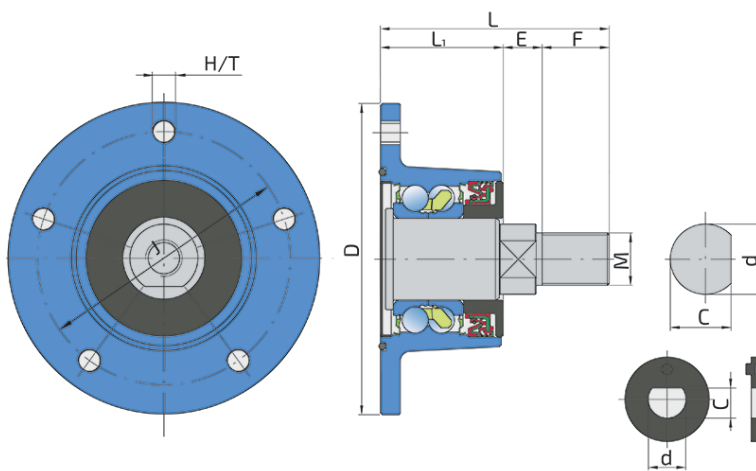


Maintenance-Free Bearing With Integrated Flange For Harsh Tillage

IL60-140/5H-M30

Maintenance-Free Bearing With Integrated Flange For Harsh Tillage
Disc Harrow



Technical Specification

| | | |
|------------------|--------------------------------|------------|
| J | Pitch circle diameter | 140 mm |
| D | Outside diameter | 160 mm |
| H/T | Hole/Thread | 5x13 mm |
| d | Bore diameter | 35 mm |
| C | D-shape hole cut out dimension | 32.5 mm |
| M | Outer Thread | M30x1.5 mm |
| L | Total length | 110.5 mm |
| L1 | Total flange length | 63 mm |
| E | Length of D shape | 19.5 mm |
| F | Length of threaded part | 26 mm |
| kg | Mass | 4.3 kg |
| C _{dyn} | Dynamic load rating | 66.35 kN |
| C _o | Static load rating | 56.5 kN |
| P _u | Fatigue load limit | 2.37 kN |

Sealing

O-RING+ SHEET METAL SHIELD+S SEAL / S SEAL+DIRTBLOCK SEAL+FORGED COVER PLATE

O-ring, Sheet metal shield and S seal on the base side and S seal, Dirtblock seal with Forged cover plate on the front side which is exposed to contaminants.

O-ring, Sheet metal shield and S seal together with attached disc eliminates the possibility of contamination from the base side.

Dirtblock seal is designed for hard working condition at unfriendly environment. Half metal - half rubber outside diameter provides reliable seal retention in the bore and improves sealing performance. Inside diameter is covered by rubber and improves sealing performance and easy installation. Forged cover plate is additional, strong protection of the Dirtblock seal against mechanical damage.

This sealing provides maximum protection against liquid or solid contaminants, which significantly extends bearing service life.

