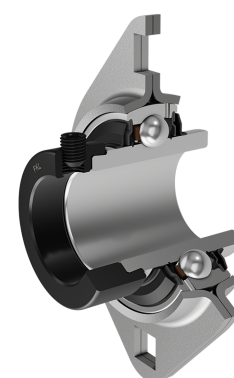
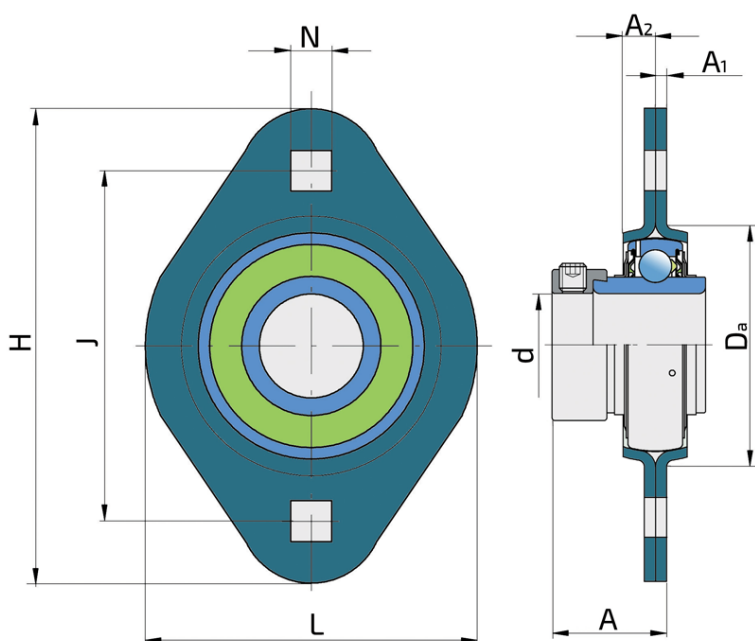


Y-Bearing Flanged Units With Oval Pressed Steel Housing "P"

LYP 207 2F

Y-Bearing Flanged Units With Oval Pressed Steel Housing "P"



Technical Specification

d	Bore diameter	35 mm
Da	Centering diameter	81 mm
L	Overall width	94 mm
A	Distance from the housing flange to the front of the inner ring of the bearing	34.8 mm
A1	Housing flange thickness	2.5 mm
A2	Height of the housing	10.5 mm
H	Housing height	122 mm
J	Distance between the holes	100 mm
N	Length of attachment bolt square hole	10.5 mm
Fr	Radial load	6.5 kN
Fa	Axial load	3.2 kN
kg	Mass	0.8 kg
Cdyn	Dynamic load rating	25.5 kN
Co	Static load rating	15.3 kN
Pu	Fatigue load limit	0.655 kN

Sealing

F SEAL / F SEAL (2F)

Dual sealing, protection cover placed on the inner ring protects against rough impurity particles and makes the labyrinth with the sheet part of the seal; then the sealing S type,

with the labyrinth between the sheet part and the rubber lip that conducts the contact sealing. The friction and speeds are the same as with S but has much better protection

against rough impurity particles. It is very good sealing system: the sheet part protects the seal from the soil, dust and

rough particles. At the same time makes the labyrinth with the rubber part. The rubber part provides the contact sealing that prevents the penetration of the finer impurities, water, moisture, steam etc. Suitable for heavier conditions due to better protection against foreign matters. It is used with the Y bearings (standard).

