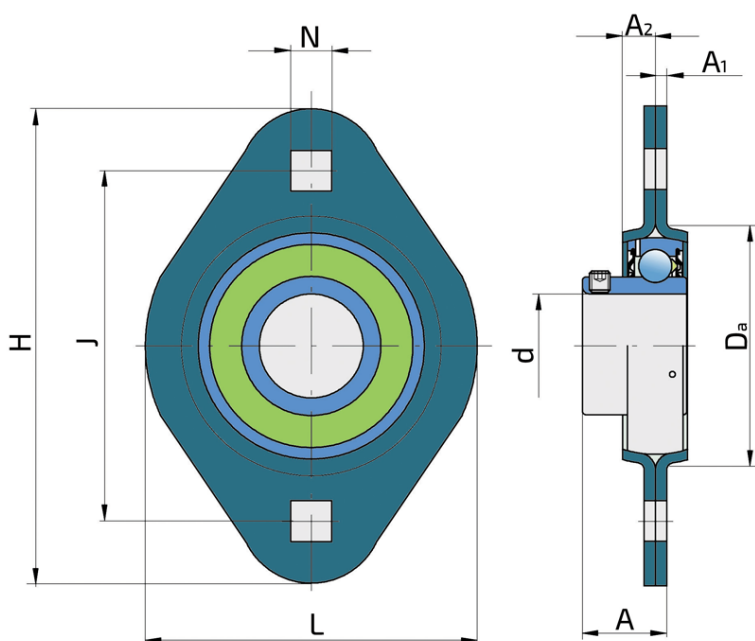


Y-Bearing Flanged Units With Oval Pressed Steel Housing "P"

UEP 207 2S

Y-Bearing Flanged Units With Oval Pressed Steel Housing "P"



Technical Specification

d	Bore diameter	35 mm
Da	Centering diameter	81 mm
L	Overall width	94 mm
A	Distance from the housing flange to the front of the inner ring of the bearing	25.8 mm
A1	Housing flange thickness	2.5 mm
A2	Height of the housing	10.5 mm
H	Housing height	122 mm
J	Distance between the holes	100 mm
N	Sqare hole dimension	10.5 mm
Fr	Radial load	6.5 kN
Fa	Axial load	3.2 kN
kg	Mass	0.6 kg
Cdyn	Dynamic load rating	25.5 kN
Co	Static load rating	15.3 kN
Pu	Fatigue load limit	0.655 kN

Sealing

S SEAL / S SEAL (2S)

Single lip seal with the labyrinth between the sheet part and the rubber lip which conducts the contact sealing. The friction and speeds are the same as with RS but provides much better protection against the rough impurity particles. This is very good sealing system: the sheet part protects the seal from the soil, dust and rough particles. At the same time makes the labyrinth with the rubber part. The rubber part provides contact sealing which prevents penetration of finer impurities, water, moisture, steam etc. Suitable for neutral conditions because of the presence of the foreign materials. It is used with the Y bearing (standard) and deep groove ball bearings.

