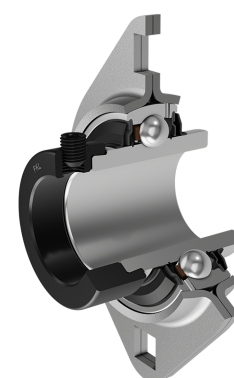
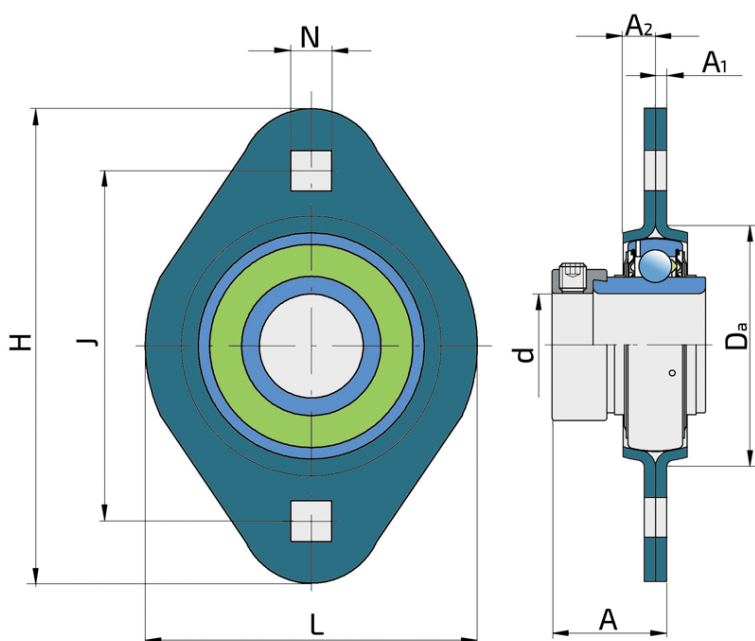


Y-Bearing Flanged Units With Oval Pressed Steel Housing "P"

LYP 206 2F

Y-Bearing Flanged Units With Oval Pressed Steel Housing "P"



Technical Specification

d	Bore diameter	30 mm
Da	Centering diameter	71 mm
L	Overall width	84 mm
A	Distance from the housing flange to the front of the inner ring of the bearing	32.6 mm
A1	Housing flange thickness	2.5 mm
A2	Height of the housing	9.5 mm
H	Housing height	112 mm
J	Distance between the holes	90.5 mm
N	Sqare hole dimension	10.5 mm
Fr	Radial load	5 kN
Fa	Axial load	2.5 kN
kg	Mass	0.53 kg
Cdyn	Dynamic load rating	19.5 kN
Co	Static load rating	11.2 kN
Pu	Fatigue load limit	0.475 kN

Sealing

F SEAL / F SEAL (2F)

Dual sealing, protection cover placed on the inner ring protects against rough impurity particles and makes the labyrinth with the sheet part of the seal; then the sealing S type,

with the labyrinth between the sheet part and the rubber lip that conducts the contact sealing. The friction and speeds are the same as with S but has much better protection

against rough impurity particles. It is very good sealing system: the sheet part protects the seal from the soil, dust and

rough particles. At the same time makes the labyrinth with the rubber part. The rubber part provides the contact sealing that prevents the penetration of the finer impurities, water, moisture, steam etc. Suitable for heavier conditions due to better protection against foreign matters. It is used with the Y bearings (standard).

