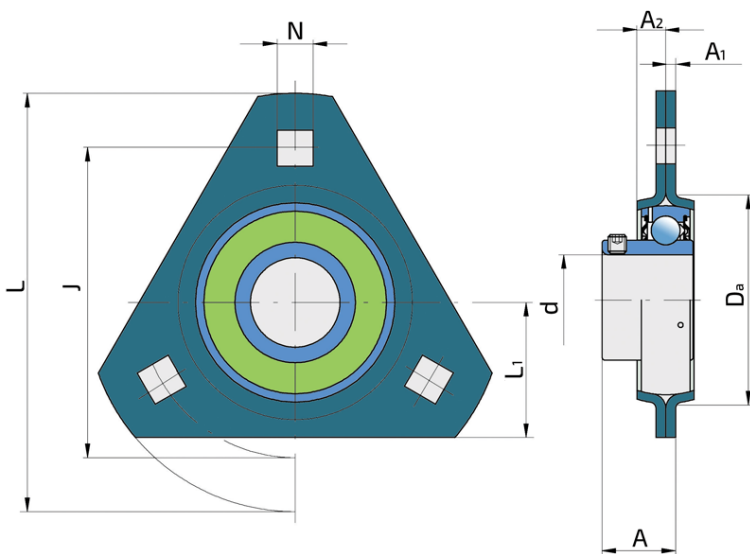
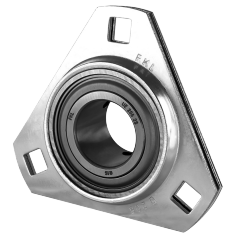


Y-Bearing Flanged Units With Triangular Pressed Steel Housing "D"

UED 206 2S

Y-Bearing Flanged Units With Triangular Pressed Steel Housing "D"



Technical Specification

d	Bore diameter	30 mm
A	Distance from the housing flange to the front of the inner ring of the bearing	23.5 mm
A1	Housing flange thickness	2.5 mm
A2	Height of the housing	9.5 mm
Da	Centering diameter	71 mm
L	Diameter of housings	112 mm
L1	Distance from the edge to the bearing axis	38 mm
J	Distance between the holes	90.5 mm
N	Sqare hole dimension	10.5 mm
Fr	Radial load	5 kN
Fa	Axial load	2.5 kN
kg	Mass	0.43 kg
Cdyn	Dynamic load rating	19.5 kN
Co	Static load rating	11.2 kN
Pu	Fatigue load limit	0.475 kN

Sealing

S SEAL / S SEAL (2S)

Single lip seal with the labyrinth between the sheet part and the rubber lip which conducts the contact sealing. The friction and speeds are the same as with RS but provides much better protection against the rough impurity particles. This is very good sealing system: the sheet part protects the seal from the soil, dust and rough particles. At the same time makes the labyrinth with the rubber part. The rubber part provides contact sealing which prevents penetration of finer impurities, water, moisture, steam etc. Suitable for neutral conditions because of the presence of the foreign materials. It is used with the Y bearing (standard) and deep groove ball bearings.

