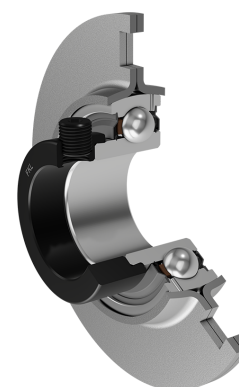
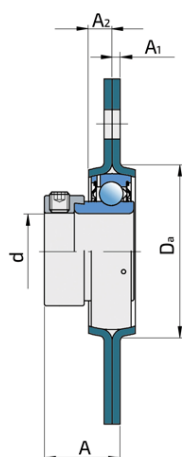
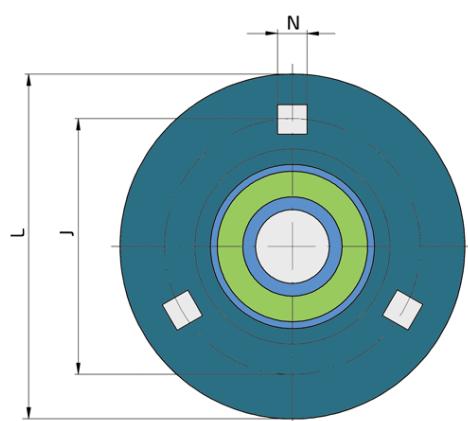


# Y-Bearing Flanged Units With Round Pressed Steel Housing "C"

## UYC 207 2S

Y-Bearing Flanged Units With Round Pressed Steel Housing "C"



### Technical Specification

|      |  |          |
|------|--|----------|
| d    | Bore diameter  | 35 mm    |
| Da   | Centering diameter   | 81 mm    |
| L    | Diameter of housings   | 122 mm   |
| A    | Distance from the housing flange to the front of the inner ring of the bearing | 31.9 mm  |
| A1   | Housing flange thickness   | 2.5 mm   |
| A2   | Height of the housing  | 10.5 mm  |
| J    | Pitch circle diameter  | 100 mm   |
| N    | Sqare hole dimension   | 10.5 mm  |
| Fr   | Radial load  | 6.5 kN   |
| Fa   | Axial load   | 3.2 kN   |
| kg   | Mass   | 0.81 kg  |
| Cdyn | Dynamic load rating  | 25.5 kN  |
| Co   | Static load rating   | 15.3 kN  |
| Pu   | Fatigue load limit   | 0.655 kN |

## Sealing

---

### S SEAL / S SEAL (2S)

Single lip seal with the labyrinth between the sheet part and the rubber lip which conducts the contact sealing. The friction and speeds are the same as with RS but provides much better protection against the rough impurity particles. This is very good sealing system: the sheet part protects the seal from the soil, dust and rough particles. At the same time makes the labyrinth with the rubber part. The rubber part provides contact sealing which prevents penetration of finer impurities, water, moisture, steam etc. Suitable for neutral conditions because of the presence of the foreign materials. It is used with the Y bearing (standard) and deep groove ball bearings.

