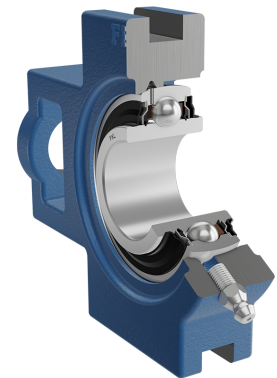
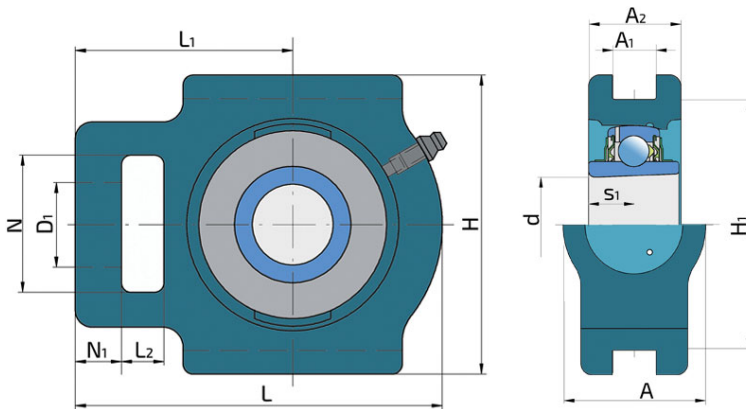
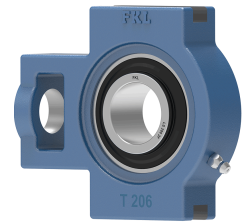


Y-Bearing Take - Up Units With Grey Cast Iron Housings "T"

LST 209 2F

Y-Bearing Take - Up Units With Grey Cast Iron Housings "T"



Technical Specification

| | | |
|------|--|----------|
| d | Bore diameter | 45 mm |
| D1 | Hole diameter | 29 mm |
| L | Overall length | 144 mm |
| L1 | Distance from the contact surface of housing to the bearing axis | 87 mm |
| L2 | Length of attachment slot | 19 mm |
| A | Overall width | 49 mm |
| A1 | Width of location slot | 17.5 mm |
| A2 | Housing flange thickness | 35 mm |
| H | Housing height | 117 mm |
| H1 | Distance between bottoms of location slot | 101 mm |
| N | Height of attachment slot | 49 mm |
| N1 | Length attachment end | 15 mm |
| s1 | Distance from locking device side face to raceway centre | 15 mm |
| kg | Mass | 2.25 kg |
| Cdyn | Dynamic load rating | 33.2 kN |
| Co | Static load rating | 21.6 kN |
| Pu | Fatigue load limit | 0.915 kN |

Sealing

F SEAL / F SEAL (2F)

Dual sealing, protection cover placed on the inner ring protects against rough impurity particles and makes the labyrinth with the sheet part of the seal; then the sealing S type,

with the labyrinth between the sheet part and the rubber lip that conducts the contact sealing. The friction and speeds are the same as with S but has much better protection

against rough impurity particles. It is very good sealing system: the sheet part protects the seal from the soil, dust and

rough particles. At the same time makes the labyrinth with the rubber part. The rubber part provides the contact sealing that prevents the penetration of the finer impurities, water, moisture, steam etc. Suitable for heavier conditions due to better protection against foreign matters. It is used with the Y bearings (standard).

