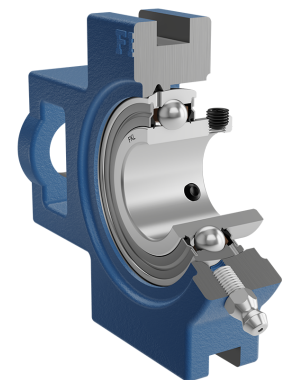
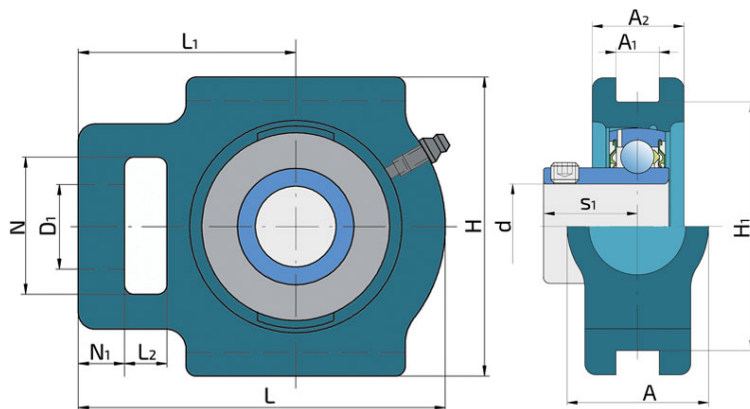
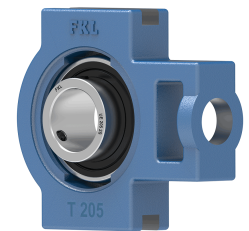


Y-Bearing Take - Up Units With Grey Cast Iron Housings "T"

UET 208 2S

Y-Bearing Take - Up Units With Grey Cast Iron Housings "T"



Technical Specification

d	Bore diameter	40 mm
D1	Hole diameter	29 mm
L	Overall length	145 mm
L1	Distance from the contact surface of housing to the bearing axis	88 mm
L2	Length of attachment slot	19 mm
A	Overall width	49 mm
A1	Width of location slot	17.5 mm
A2	Housing flange thickness	33 mm
H	Housing height	115 mm
H1	Distance between bottoms of location slot	101 mm
N	Height of attachment slot	50 mm
N1	Length attachment end	15 mm
s1	Distance from locking device side face to raceway centre	25.3 mm
kg	Mass	2.23 kg
Cdyn	Dynamic load rating	30.7 kN
Co	Static load rating	19 kN
Pu	Fatigue load limit	0.8 kN

Sealing

S SEAL / S SEAL (2S)

Single lip seal with the labyrinth between the sheet part and the rubber lip which conducts the contact sealing. The friction and speeds are the same as with RS but provides much better protection against the rough impurity particles. This is very good sealing system: the sheet part protects the seal from the soil, dust and rough particles. At the same time makes the labyrinth with the rubber part. The rubber part provides contact sealing which prevents penetration of finer impurities, water, moisture, steam etc. Suitable for neutral conditions because of the presence of the foreign materials. It is used with the Y bearing (standard) and deep groove ball bearings.

