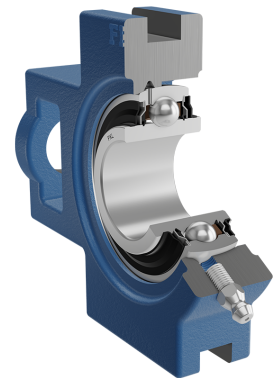
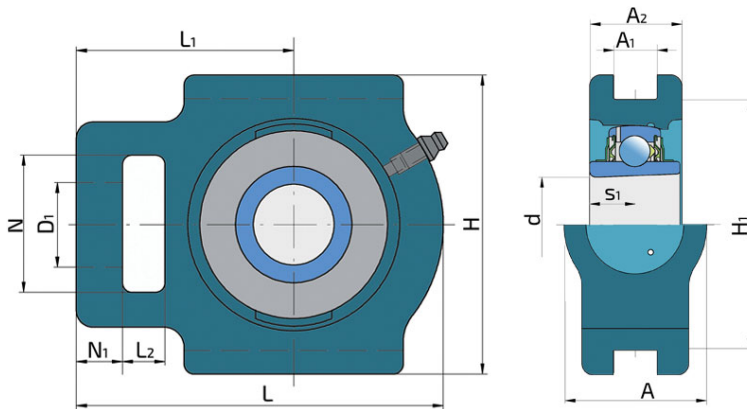
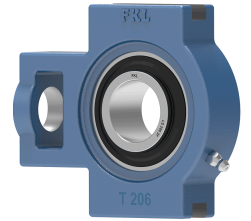


Y-Bearing Take - Up Units With Grey Cast Iron Housings "T"

LST 205 2F

Y-Bearing Take - Up Units With Grey Cast Iron Housings "T"



Technical Specification

d	Bore diameter	25 mm
D1	Hole diameter	19 mm
L	Overall length	100 mm
L1	Distance from the contact surface of housing to the bearing axis	64 mm
L2	Length of attachment slot	16 mm
A	Overall width	34 mm
A1	Width of location slot	13.5 mm
A2	Housing flange thickness	25 mm
H	Housing height	91 mm
H1	Distance between bottoms of location slot	76 mm
N	Height of attachment slot	33 mm
N1	Length attachment end	10 mm
s1	Distance from locking device side face to raceway centre	11.5 mm
kg	Mass	0.85 kg
Cdyn	Dynamic load rating	14 kN
Co	Static load rating	7.8 kN
Pu	Fatigue load limit	0.335 kN

Sealing

F SEAL / F SEAL (2F)

Dual sealing, protection cover placed on the inner ring protects against rough impurity particles and makes the labyrinth with the sheet part of the seal; then the sealing S type,

with the labyrinth between the sheet part and the rubber lip that conducts the contact sealing. The friction and speeds are the same as with S but has much better protection

against rough impurity particles. It is very good sealing system: the sheet part protects the seal from the soil, dust and

rough particles. At the same time makes the labyrinth with the rubber part. The rubber part provides the contact sealing that prevents the penetration of the finer impurities, water, moisture, steam etc. Suitable for heavier conditions due to better protection against foreign matters. It is used with the Y bearings (standard).

