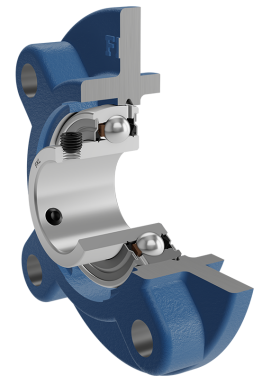
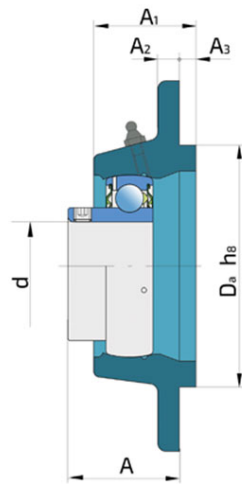
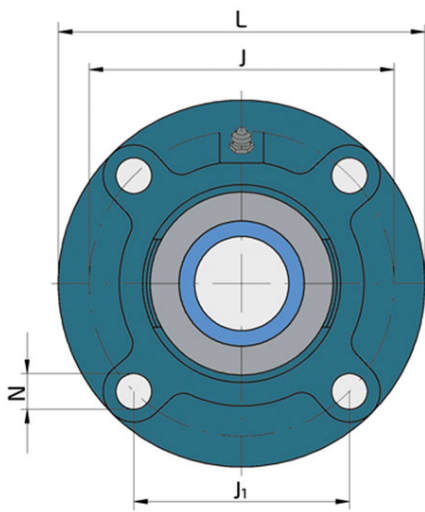


Y-Bearing Flanged Units With Round Grey Cast Iron Housing "G"

UEG 205 2S

Y-Bearing Flanged Units With Round Grey Cast Iron Housing "G"



Technical Specification

d	Bore diameter	25 mm
Da	Centering diameter	70 mm
L	Overall width	115 mm
A	Distance from the housing flange to the front of the inner ring of the bearing	29.5 mm
A1	Total housing width	27 mm
A2	Housing flange thickness	7 mm
A3	Centering diameter height	6 mm
J	Pitch circle diameter	90 mm
J1	Distance between the holes	63.6 mm
N	Diameter of attachment slot	12 mm
kg	Mass	0.95 kg
Cdyn	Dynamic load rating	14 kN
Co	Static load rating	7.8 kN
Pu	Fatigue load limit	0.335 kN

Sealing

S SEAL / S SEAL (2S)

Single lip seal with the labyrinth between the sheet part and the rubber lip which conducts the contact sealing. The friction and speeds are the same as with RS but provides much better protection against the rough impurity particles. This is very good sealing system: the sheet part protects the seal from the soil, dust and rough particles. At the same time makes the labyrinth with the rubber part. The rubber part provides contact sealing which prevents penetration of finer impurities, water, moisture, steam etc. Suitable for neutral conditions because of the presence of the foreign materials. It is used with the Y bearing (standard) and deep groove ball bearings.

