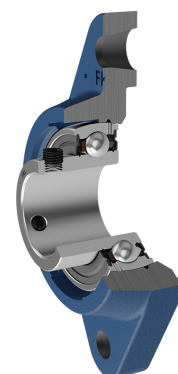
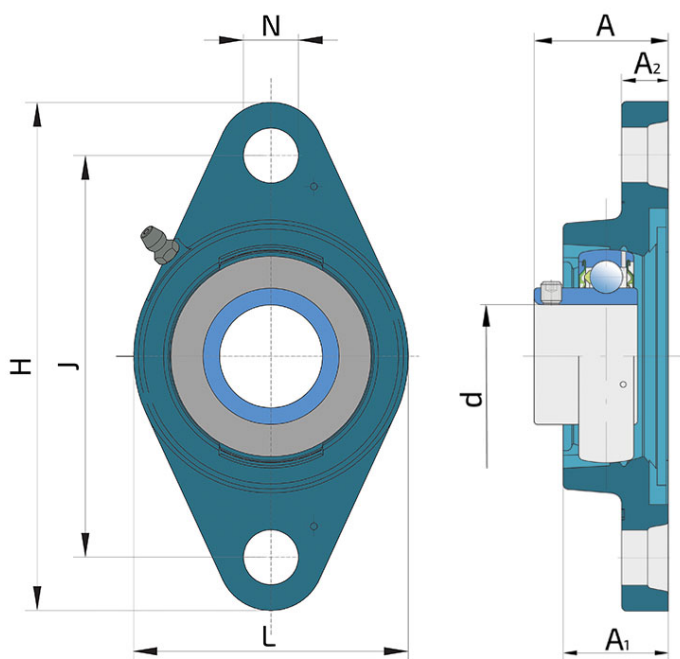
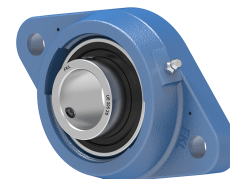


Y-Bearing Flanged Units With Oval Grey Cast Iron Housing "N"

UEN 206 2S

Y-Bearing Flanged Units With Oval Grey Cast Iron Housing "N"



Technical Specification

d	Bore diameter	30 mm
L	Overall width	80 mm
A	Distance from the housing flange to the front of the inner ring of the bearing	39 mm
A1	Total housing width	30.5 mm
A2	Housing flange thickness	14 mm
H	Housing height	148 mm
J	Pitch circle diameter	117 mm
N	Diameter of attachment slot	16 mm
kg	Mass	0.84 kg
Cdyn	Dynamic load rating	19.5 kN
Co	Static load rating	11.2 kN
Pu	Fatigue load limit	0.475 kN

Sealing

S SEAL / S SEAL (2S)

Single lip seal with the labyrinth between the sheet part and the rubber lip which conducts the contact sealing. The friction and speeds are the same as with RS but provides much better protection against the rough impurity particles. This is very good sealing system: the sheet part protects the seal from the soil, dust and rough particles. At the same time makes the labyrinth with the rubber part. The rubber part provides contact sealing which prevents penetration of finer impurities, water, moisture, steam etc. Suitable for neutral conditions because of the presence of the foreign materials. It is used with the Y bearing (standard) and deep groove ball bearings.

