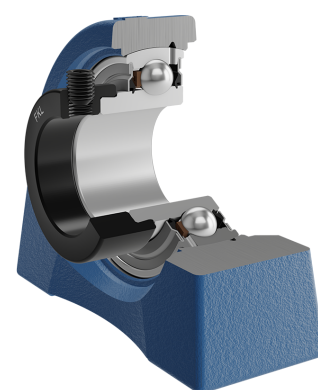
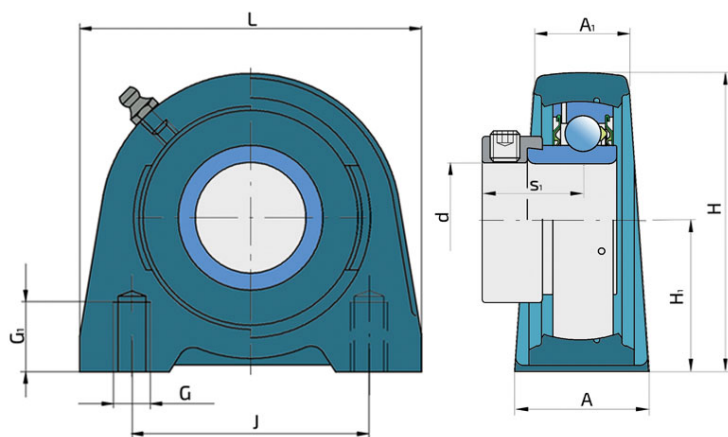
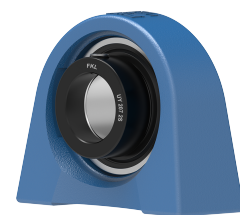


Y-Bearing Plummer Block Units With Grey Cast Iron Housing "U"

UYU 210 2S

Y-Bearing Plummer Block Units With Grey Cast Iron Housing "U"



Technical Specification

| | | |
|------|--|----------|
| d | Bore diameter | 50 mm |
| L | Overall length | 135 mm |
| A | Housing contact surface width | 54 mm |
| A1 | Width of the top of the housing | 34 mm |
| H | Housing height | 113.2 mm |
| H1 | Distance from the contact surface to the bearing axis | 57.2 mm |
| J | Pitch circle diameter | 101.6 mm |
| G | Thread | M18 mm |
| G1 | Thread length | 25.5 mm |
| s1 | Distance from locking device side face to raceway centre | 32.7 mm |
| kg | Mass | 2.32 kg |
| Cdyn | Dynamic load rating | 35.1 kN |
| Co | Static load rating | 23.2 kN |
| Pu | Fatigue load limit | 0.98 kN |

Sealing

S SEAL / S SEAL (2S)

Single lip seal with the labyrinth between the sheet part and the rubber lip which conducts the contact sealing. The friction and speeds are the same as with RS but provides much better protection against the rough impurity particles. This is very good sealing system: the sheet part protects the seal from the soil, dust and rough particles. At the same time makes the labyrinth with the rubber part. The rubber part provides contact sealing which prevents penetration of finer impurities, water, moisture, steam etc. Suitable for neutral conditions because of the presence of the foreign materials. It is used with the Y bearing (standard) and deep groove ball bearings.

