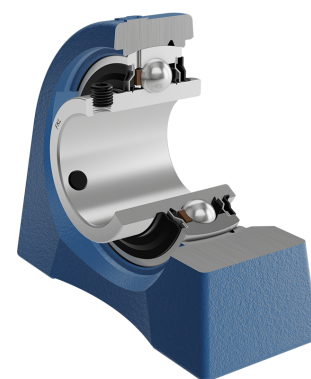
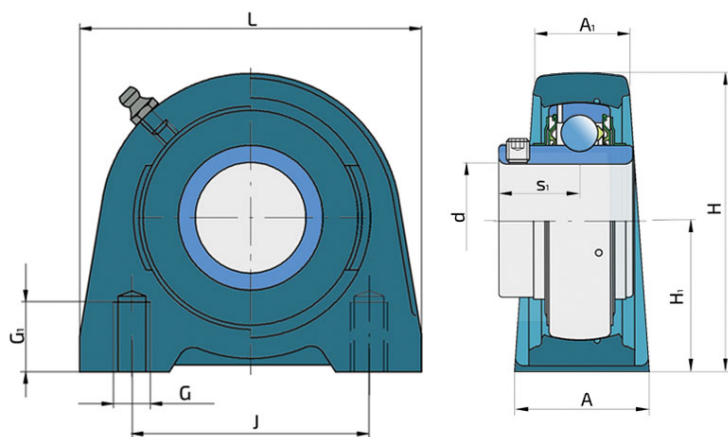
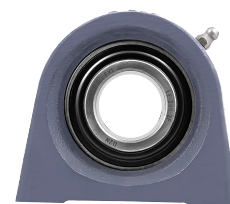


Y-Bearing Plummer Block Units With Grey Cast Iron Housing "U"

LEU 208 2F

Y-Bearing Plummer Block Units With Grey Cast Iron Housing "U"



Technical Specification

d	Bore diameter	40 mm
L	Overall length	116 mm
A	Housing contact surface width	48 mm
A1	Width of the top of the housing	30 mm
H	Housing height	98.2 mm
H1	Distance from the contact surface to the bearing axis	49.2 mm
J	Pitch circle diameter	88.9 mm
G	Thread	M13 mm
G1	Thread length	20 mm
s1	Distance from locking device side face to raceway centre	30.2 mm
kg	Mass	1.67 kg
Cdyn	Dynamic load rating	30.7 kN
Co	Static load rating	19 kN
Pu	Fatigue load limit	0.8 kN

Sealing

F SEAL / F SEAL (2F)

Dual sealing, protection cover placed on the inner ring protects against rough impurity particles and makes the labyrinth with the sheet part of the seal; then the sealing S type,

with the labyrinth between the sheet part and the rubber lip that conducts the contact sealing. The friction and speeds are the same as with S but has much better protection

against rough impurity particles. It is very good sealing system: the sheet part protects the seal from the soil, dust and

rough particles. At the same time makes the labyrinth with the rubber part. The rubber part provides the contact sealing that prevents the penetration of the finer impurities, water, moisture, steam etc. Suitable for heavier conditions due to better protection against foreign matters. It is used with the Y bearings (standard).

