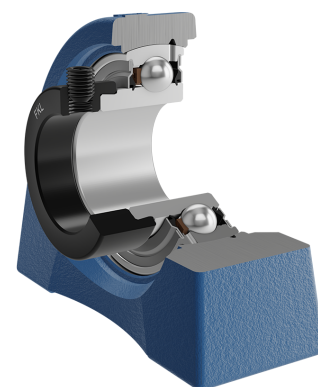
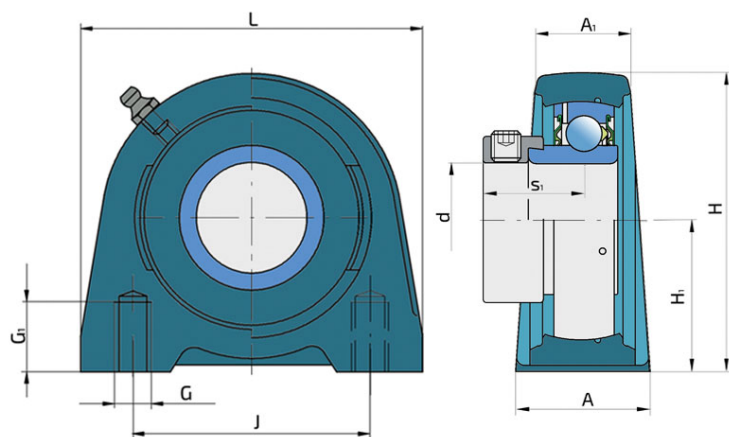
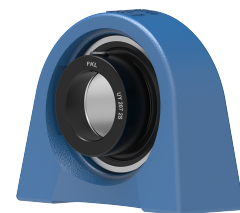


Y-Bearing Plummer Block Units With Grey Cast Iron Housing "U"

UYU 207 2S

Y-Bearing Plummer Block Units With Grey Cast Iron Housing "U"



Technical Specification

d	Bore diameter	35 mm
L	Overall length	103 mm
A	Housing contact surface width	45 mm
A1	Width of the top of the housing	27 mm
H	Housing height	92.1 mm
H1	Distance from the contact surface to the bearing axis	47.6 mm
J	Pitch circle diameter	82.6 mm
G	Thread	M12 mm
G1	Thread length	15 mm
s1	Distance from locking device side face to raceway centre	29.4 mm
kg	Mass	1.49 kg
Cdyn	Dynamic load rating	25.5 kN
Co	Static load rating	15.3 kN
Pu	Fatigue load limit	0.655 kN

Sealing

S SEAL / S SEAL (2S)

Single lip seal with the labyrinth between the sheet part and the rubber lip which conducts the contact sealing. The friction and speeds are the same as with RS but provides much better protection against the rough impurity particles. This is very good sealing system: the sheet part protects the seal from the soil, dust and rough particles. At the same time makes the labyrinth with the rubber part. The rubber part provides contact sealing which prevents penetration of finer impurities, water, moisture, steam etc. Suitable for neutral conditions because of the presence of the foreign materials. It is used with the Y bearing (standard) and deep groove ball bearings.

