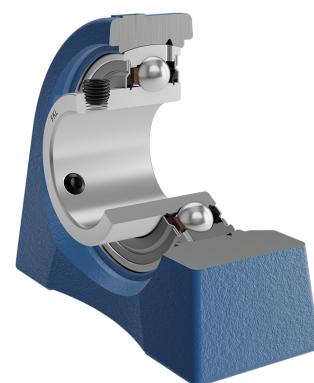
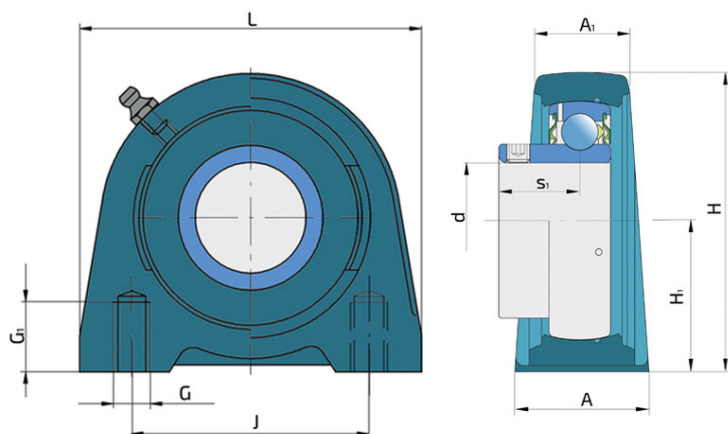
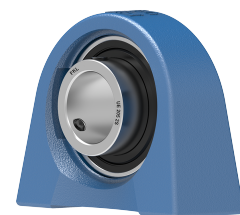


# Y-Bearing Plummer Block Units With Grey Cast Iron Housing "U"

## UEU 206 2S

Y-Bearing Plummer Block Units With Grey Cast Iron Housing "U"



### Technical Specification

d	Bore diameter	30 mm
L	Overall length	98 mm
A	Housing contact surface width	48 mm
A1	Width of the top of the housing	25 mm
H	Housing height	81.4 mm
H1	Distance from the contact surface to the bearing axis	42.9 mm
J	Pitch circle diameter	76.2 mm
G	Thread	M10 mm
G1	Thread length	15 mm
s1	Distance from locking device side face to raceway centre	21 mm
kg	Mass	0.97 kg
Cdyn	Dynamic load rating	19.5 kN
Co	Static load rating	11.2 kN
Pu	Fatigue load limit	0.475 kN

## Sealing

---

### S SEAL / S SEAL (2S)

Single lip seal with the labyrinth between the sheet part and the rubber lip which conducts the contact sealing. The friction and speeds are the same as with RS but provides much better protection against the rough impurity particles. This is very good sealing system: the sheet part protects the seal from the soil, dust and rough particles. At the same time makes the labyrinth with the rubber part. The rubber part provides contact sealing which prevents penetration of finer impurities, water, moisture, steam etc. Suitable for neutral conditions because of the presence of the foreign materials. It is used with the Y bearing (standard) and deep groove ball bearings.

