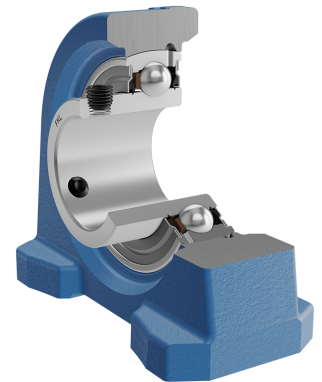
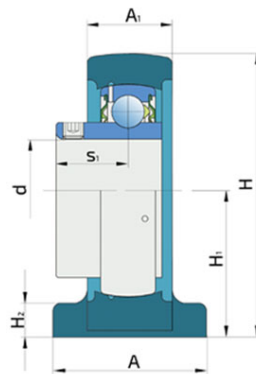
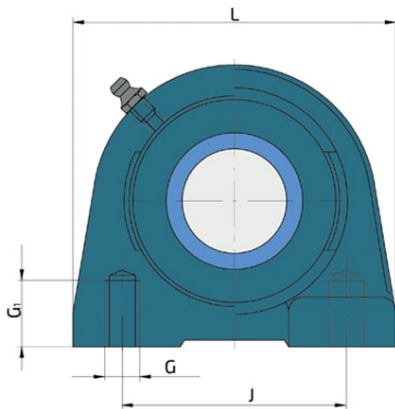
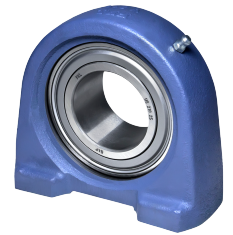


Y-Bearing Plummer Block Units With Grey Cast Iron Housing "V"

UEV 210 2S

Y-Bearing Plummer Block Units With Grey Cast Iron Housing "V"



Technical Specification

d	Bore diameter	50 mm
L	Overall length	130 mm
A	Housing contact surface width	60 mm
A1	Width of the top of the housing	35.5 mm
H	Housing height	57.2 mm
H1	Distance from the contact surface to the bearing axis	14 mm
H2	Housing foot thickness	116 mm
J	Pitch circle diameter	94 mm
G	Thread	M16 mm
G1	Thread length	25 mm
s1	Distance from locking device side face to raceway centre	27.6 mm
kg	Mass	2.18 kg
Cdyn	Dynamic load rating	35.1 kN
Co	Static load rating	23.2 kN
Pu	Fatigue load limit	0.98 kN

Sealing

S SEAL / S SEAL (2S)

Single lip seal with the labyrinth between the sheet part and the rubber lip which conducts the contact sealing. The friction and speeds are the same as with RS but provides much better protection against the rough impurity particles. This is very good sealing system: the sheet part protects the seal from the soil, dust and rough particles. At the same time makes the labyrinth with the rubber part. The rubber part provides contact sealing which prevents penetration of finer impurities, water, moisture, steam etc. Suitable for neutral conditions because of the presence of the foreign materials. It is used with the Y bearing (standard) and deep groove ball bearings.

