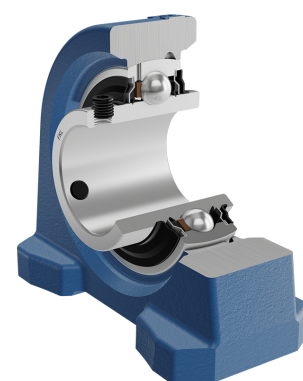
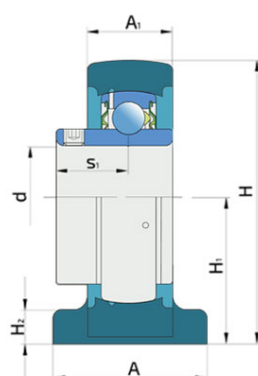
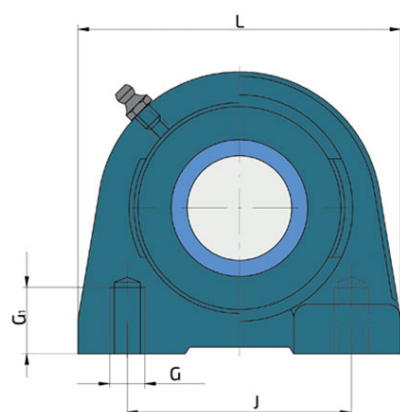
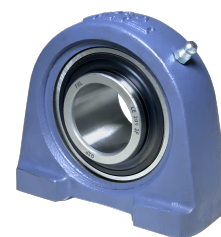


Y-Bearing Plummer Block Units With Grey Cast Iron Housing "V"

LEV 209 2F

Y-Bearing Plummer Block Units With Grey Cast Iron Housing "V"



Technical Specification

d	Bore diameter	45 mm
L	Overall length	120 mm
A	Housing contact surface width	54 mm
A1	Width of the top of the housing	33.5 mm
H	Housing height	54.2 mm
H1	Distance from the contact surface to the bearing axis	12 mm
H2	Housing foot thickness	108 mm
J	Pitch circle diameter	90 mm
G	Thread	M15 mm
G1	Thread length	25 mm
s1	Distance from locking device side face to raceway centre	30.2 mm
kg	Mass	1.91 kg
Cdyn	Dynamic load rating	33.2 kN
Co	Static load rating	21.6 kN
Pu	Fatigue load limit	0.915 kN

Sealing

F SEAL / F SEAL (2F)

Dual sealing, protection cover placed on the inner ring protects against rough impurity particles and makes the labyrinth with the sheet part of the seal; then the sealing S type,

with the labyrinth between the sheet part and the rubber lip that conducts the contact sealing. The friction and speeds are the same as with S but has much better protection

against rough impurity particles. It is very good sealing system: the sheet part protects the seal from the soil, dust and

rough particles. At the same time makes the labyrinth with the rubber part. The rubber part provides the contact sealing that prevents the penetration of the finer impurities, water, moisture, steam etc. Suitable for heavier conditions due to better protection against foreign matters. It is used with the Y bearings (standard).

