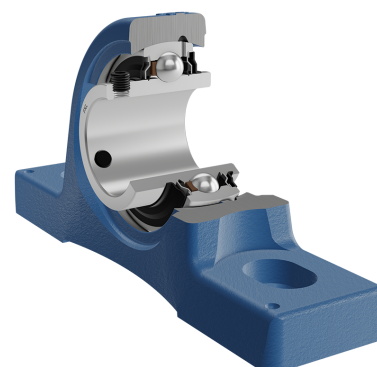
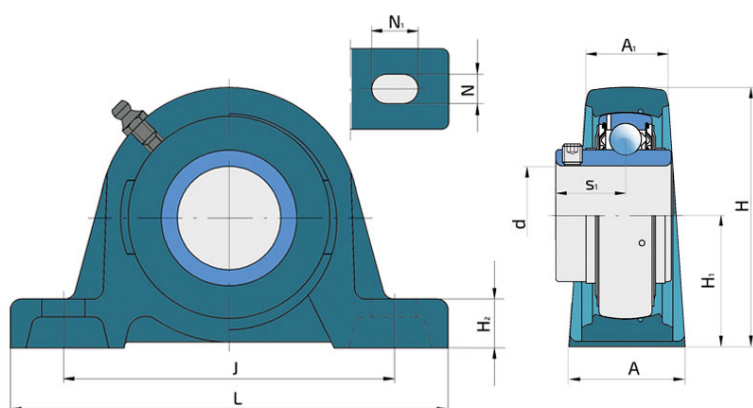
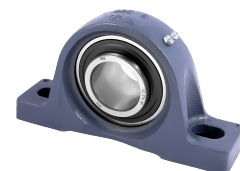


Y-Bearing Plummer Block Units With Grey Cast Iron Housing "S"

LES 218 2F

Y-Bearing Plummer Block Units With Grey Cast Iron Housing "S"



Technical Specification

d	Bore diameter	90 mm
L	Overall length	327 mm
A	Housing contact surface width	88 mm
A1	Width of the top of the housing	54 mm
H	Housing height	200 mm
H1	Distance from the contact surface to the bearing axis	101.6 mm
H2	Housing foot thickness	33 mm
Jmin	Min. distance between the holes	254 mm
Jmax	Max. distance between the holes	270 mm
N	Height of attachment slot	27 mm
N1	Length attachment end	35 mm
s1	Distance from locking device side face to raceway centre	54 mm
kg	Mass	13.7 kg
Cdyn	Dynamic load rating	95.6 kN
Co	Static load rating	72 kN
Pu	Fatigue load limit	2.7 kN

Sealing

F SEAL / F SEAL (2F)

Dual sealing, protection cover placed on the inner ring protects against rough impurity particles and makes the labyrinth with the sheet part of the seal; then the sealing S type,

with the labyrinth between the sheet part and the rubber lip that conducts the contact sealing. The friction and speeds are the same as with S but has much better protection

against rough impurity particles. It is very good sealing system: the sheet part protects the seal from the soil, dust and

rough particles. At the same time makes the labyrinth with the rubber part. The rubber part provides the contact sealing that prevents the penetration of the finer impurities, water, moisture, steam etc. Suitable for heavier conditions due to better protection against foreign matters. It is used with the Y bearings (standard).

