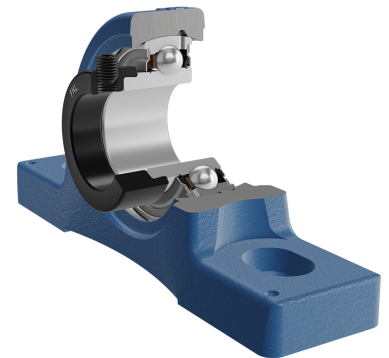
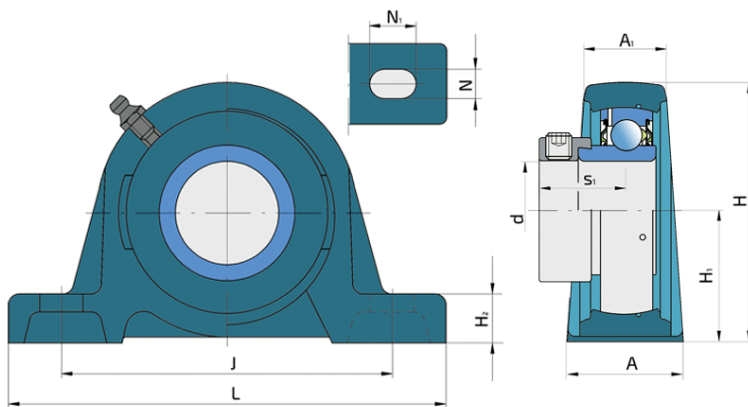


Y-Bearing Plummer Block Units With Grey Cast Iron Housing "S"

UYS 212 2S

Y-Bearing Plummer Block Units With Grey Cast Iron Housing "S"



Technical Specification

d	Bore diameter	60 mm
L	Overall length	241 mm
A	Housing contact surface width	65 mm
A1	Width of the top of the housing	47 mm
H	Housing height	136.8 mm
H1	Distance from the contact surface to the bearing axis	69.8 mm
H2	Housing foot thickness	26.5 mm
Jmin	Min. distance between the holes	179 mm
Jmax	Max. distance between the holes	198 mm
N	Height of attachment slot	20 mm
N1	Length attachment end	29.5 mm
s1	Distance from locking device side face to raceway centre	40.3 mm
kg	Mass	4.19 kg
Cdyn	Dynamic load rating	52.7 kN
Co	Static load rating	36 kN
Pu	Fatigue load limit	1.53 kN

Sealing

S SEAL / S SEAL (2S)

Single lip seal with the labyrinth between the sheet part and the rubber lip which conducts the contact sealing. The friction and speeds are the same as with RS but provides much better protection against the rough impurity particles. This is very good sealing system: the sheet part protects the seal from the soil, dust and rough particles. At the same time makes the labyrinth with the rubber part. The rubber part provides contact sealing which prevents penetration of finer impurities, water, moisture, steam etc. Suitable for neutral conditions because of the presence of the foreign materials. It is used with the Y bearing (standard) and deep groove ball bearings.

