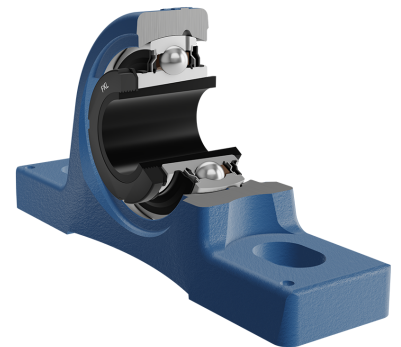
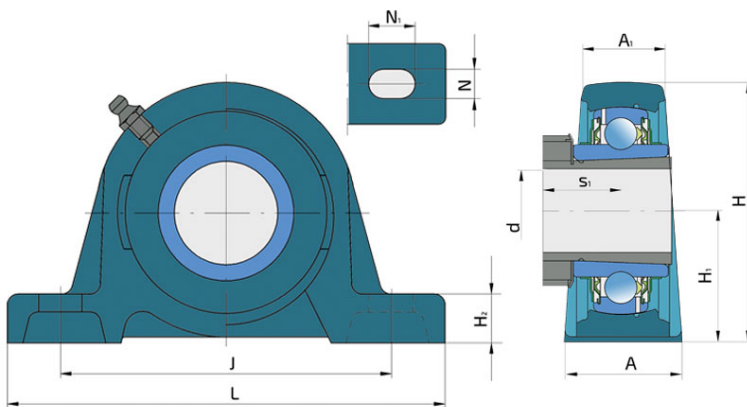
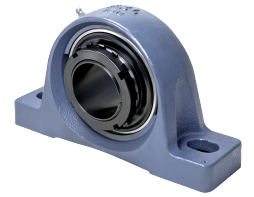


# Y-Bearing Plummer Block Units With Grey Cast Iron Housing "S"

## LKS 212 2F + H2312

Y-Bearing Plummer Block Units With Grey Cast Iron Housing "S"



### Technical Specification

d	Bore diameter	55 mm
L	Overall length	241 mm
A	Housing contact surface width	65 mm
A1	Width of the top of the housing	47 mm
H	Housing height	136.8 mm
H1	Distance from the contact surface to the bearing axis	69.8 mm
H2	Housing foot thickness	26.5 mm
Jmin	Min. distance between the holes	179 mm
Jmax	Max. distance between the holes	198 mm
N	Height of attachment slot	20 mm
N1	Length attachment end	29.5 mm
s1	Distance from locking device side face to raceway centre	34.3 mm
kg	Mass	4.55 kg
Cdyn	Dynamic load rating	52 kN
Co	Static load rating	36 kN
Pu	Fatigue load limit	1.06 kN

## Sealing

---

### F SEAL / F SEAL (2F)

Dual sealing, protection cover placed on the inner ring protects against rough impurity particles and makes the labyrinth with the sheet part of the seal; then the sealing S type,

with the labyrinth between the sheet part and the rubber lip that conducts the contact sealing. The friction and speeds are the same as with S but has much better protection

against rough impurity particles. It is very good sealing system: the sheet part protects the seal from the soil, dust and

rough particles. At the same time makes the labyrinth with the rubber part. The rubber part provides the contact sealing that prevents the penetration of the finer impurities, water, moisture, steam etc. Suitable for heavier conditions due to better protection against foreign matters. It is used with the Y bearings (standard).

