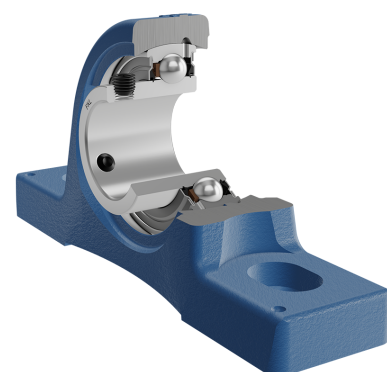
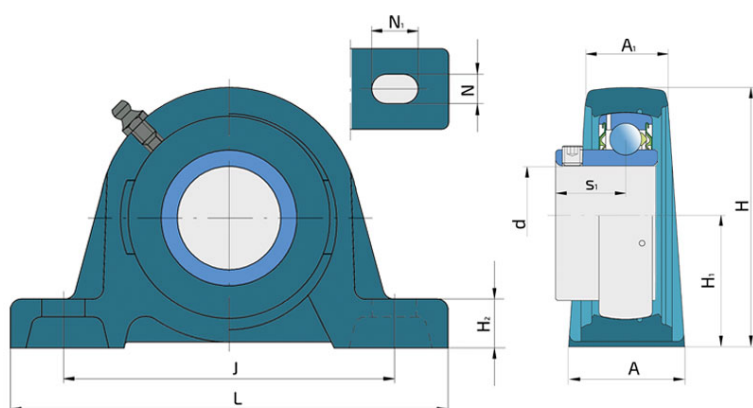
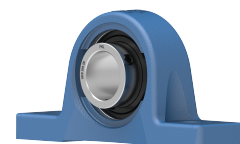


Y-Bearing Plummer Block Units With Grey Cast Iron Housing "S"

UES 209 2S

Y-Bearing Plummer Block Units With Grey Cast Iron Housing "S"



Technical Specification

d	Bore diameter	45 mm
L	Overall length	190 mm
A	Housing contact surface width	52 mm
A1	Width of the top of the housing	36 mm
H	Housing height	107 mm
H1	Distance from the contact surface to the bearing axis	54 mm
H2	Housing foot thickness	20 mm
Jmin	Min. distance between the holes	136 mm
Jmax	Max. distance between the holes	151 mm
N	Height of attachment slot	17 mm
N1	Length attachment end	23.5 mm
s1	Distance from locking device side face to raceway centre	25.8 mm
kg	Mass	2.23 kg
Cdyn	Dynamic load rating	33.2 kN
Co	Static load rating	21.6 kN
Pu	Fatigue load limit	0.915 kN

Sealing

S SEAL / S SEAL (2S)

Single lip seal with the labyrinth between the sheet part and the rubber lip which conducts the contact sealing. The friction and speeds are the same as with RS but provides much better protection against the rough impurity particles. This is very good sealing system: the sheet part protects the seal from the soil, dust and rough particles. At the same time makes the labyrinth with the rubber part. The rubber part provides contact sealing which prevents penetration of finer impurities, water, moisture, steam etc. Suitable for neutral conditions because of the presence of the foreign materials. It is used with the Y bearing (standard) and deep groove ball bearings.

