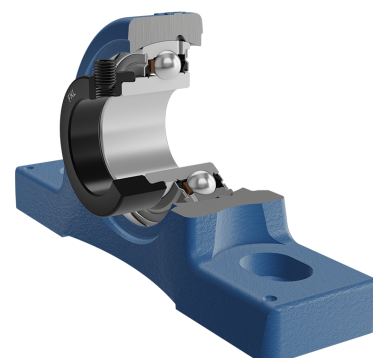
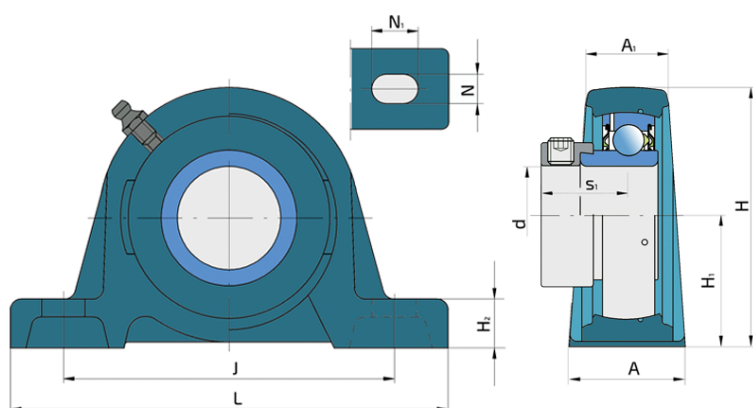


Y-Bearing Plummer Block Units With Grey Cast Iron Housing "S"

UYS 205 2S

Y-Bearing Plummer Block Units With Grey Cast Iron Housing "S"



Technical Specification

d	Bore diameter	25 mm
L	Overall length	140 mm
A	Housing contact surface width	38 mm
A1	Width of the top of the housing	24 mm
H	Housing height	69.5 mm
H1	Distance from the contact surface to the bearing axis	36.5 mm
H2	Housing foot thickness	16 mm
Jmin	Min. distance between the holes	94 mm
Jmax	Max. distance between the holes	111 mm
N	Height of attachment slot	13 mm
N1	Length attachment end	21.5 mm
s1	Distance from locking device side face to raceway centre	23.5 mm
kg	Mass	0.73 kg
Cdyn	Dynamic load rating	14 kN
Co	Static load rating	7.8 kN
Pu	Fatigue load limit	0.335 kN

Sealing

S SEAL / S SEAL (2S)

Single lip seal with the labyrinth between the sheet part and the rubber lip which conducts the contact sealing. The friction and speeds are the same as with RS but provides much better protection against the rough impurity particles. This is very good sealing system: the sheet part protects the seal from the soil, dust and rough particles. At the same time makes the labyrinth with the rubber part. The rubber part provides contact sealing which prevents penetration of finer impurities, water, moisture, steam etc. Suitable for neutral conditions because of the presence of the foreign materials. It is used with the Y bearing (standard) and deep groove ball bearings.

