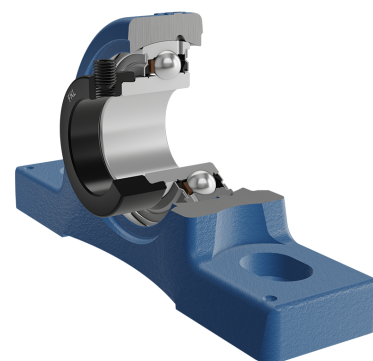
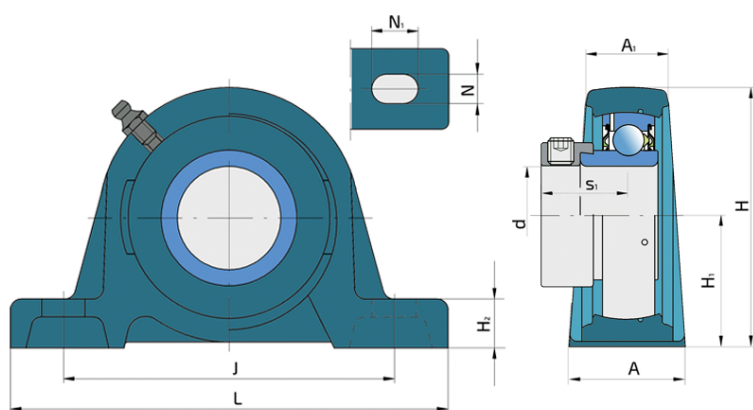


# Y-Bearing Plummer Block Units With Grey Cast Iron Housing "S"

## UYS 204 2S

Y-Bearing Plummer Block Units With Grey Cast Iron Housing "S"



### Technical Specification

d	Bore diameter	20 mm
L	Overall length	127 mm
A	Housing contact surface width	34 mm
A1	Width of the top of the housing	23 mm
H	Housing height	63.8 mm
H1	Distance from the contact surface to the bearing axis	33.3 mm
H2	Housing foot thickness	14 mm
Jmin	Min. distance between the holes	89 mm
Jmax	Max. distance between the holes	104.5 mm
N	Height of attachment slot	13 mm
N1	Length attachment end	20.7 mm
s1	Distance from locking device side face to raceway centre	23.5 mm
kg	Mass	0.59 kg
Cdyn	Dynamic load rating	12.7 kN
Co	Static load rating	6.55 kN
Pu	Fatigue load limit	0.28 kN

## Sealing

---

### S SEAL / S SEAL (2S)

Single lip seal with the labyrinth between the sheet part and the rubber lip which conducts the contact sealing. The friction and speeds are the same as with RS but provides much better protection against the rough impurity particles. This is very good sealing system: the sheet part protects the seal from the soil, dust and rough particles. At the same time makes the labyrinth with the rubber part. The rubber part provides contact sealing which prevents penetration of finer impurities, water, moisture, steam etc. Suitable for neutral conditions because of the presence of the foreign materials. It is used with the Y bearing (standard) and deep groove ball bearings.

