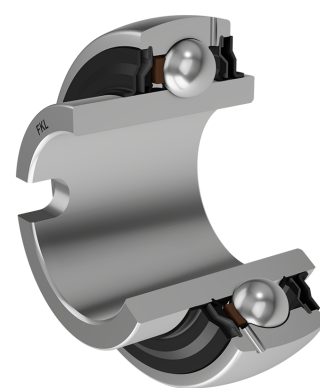
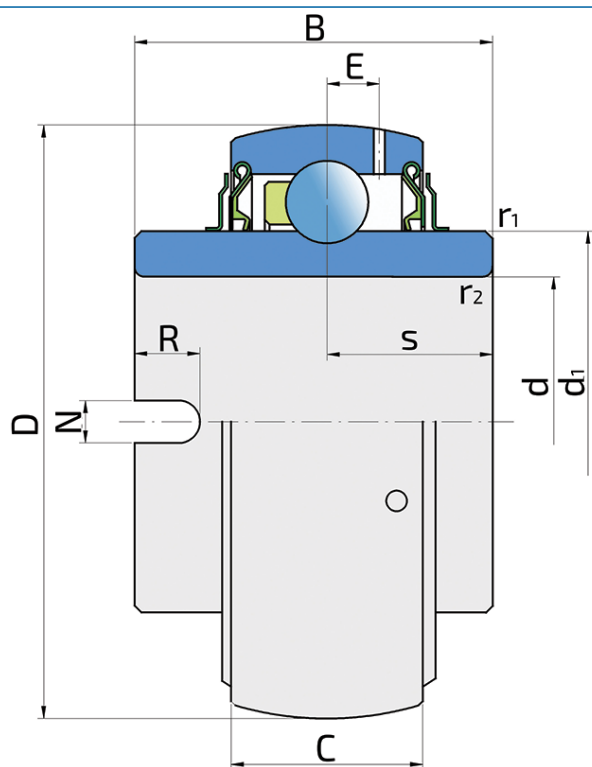


Y-Ball Bearings With Drive Slot In Inner Ring

LN 207 2F

Y-Ball Bearings With Drive Slot In Inner Ring



Technical Specification

| | | |
|------------------|--|---------|
| d | Bore diameter | 35 mm |
| D | Outside diameter | 72 mm |
| B | Width inner ring | 37.7 mm |
| C | Width outer ring | 19 mm |
| d1 | Outer diameter inner ring | 46.1 mm |
| E | Distance from raceway centre to the hole for lubrication | 5.6 mm |
| N | Slot width | 8 mm |
| N1 | Length attachment end | 7 mm |
| C _{dyn} | Dynamic load rating | 25.5 kN |
| C _o | Static load rating | 15.3 kN |
| P _u | Fatigue load limit | 0.66 kN |
| kg | Mass | 0.49 kg |

Sealing

F SEAL / F SEAL (2F)

Dual sealing, protection cover placed on the inner ring protects against rough impurity particles and makes the labyrinth with the sheet part of the seal; then the sealing S type,

with the labyrinth between the sheet part and the rubber lip that conducts the contact sealing. The friction and speeds are the same as with S but has much better protection

against rough impurity particles. It is very good sealing system: the sheet part protects the seal from the soil, dust and

rough particles. At the same time makes the labyrinth with the rubber part. The rubber part provides the contact sealing that prevents the penetration of the finer impurities, water, moisture, steam etc. Suitable for heavier conditions due to better protection against foreign matters. It is used with the Y bearings (standard).

