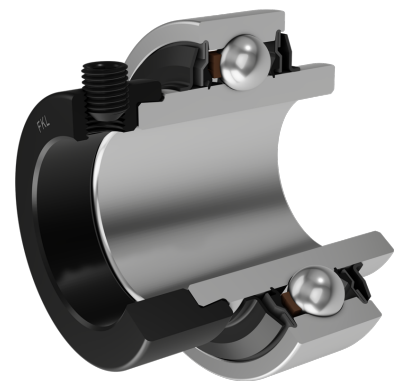
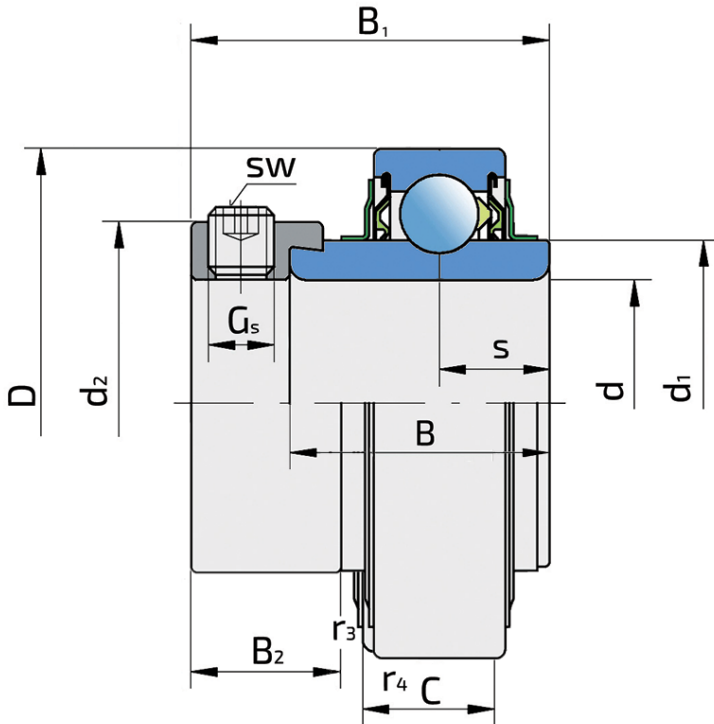


# Y-Ball Bearings With Eccentric Locking Collar

## LY 318 2F.SH

Y-Ball Bearings With Eccentric Locking Collar



### Technical Specification

d	Bore diameter	90 mm
D	Outside diameter	190 mm
B	Width inner ring	115.9 mm
C	Width outer ring	48 mm
s	Distance from inner ring side face to raceway centre	43.6 mm
d1	Outer diameter inner ring	121 mm
E	Distance from raceway centre to the hole for lubrication	14.3 mm
Gs	Set screw	M20x1.6 mm
sw	Hexagonal key size for set screw	6 mm
r1,2	Inner ring Chamfer dimension	3 mm
r3,4	Outside ring Chamfer dimension	3 mm
B1	Width inner ring with locking collar	87.3 mm
d2	Locking collar outside diameter	133 mm
B2	Width locking collar	38.5 mm
Cdyn	Dynamic load rating	151 kN
Co	Static load rating	108 kN
Pu	Fatigue load limit	3.8 kN
kg	Mass	9.1 kg

## Sealing

---

### F SEAL / F SEAL (2F)

Dual sealing, protection cover placed on the inner ring protects against rough impurity particles and makes the labyrinth with the sheet part of the seal; then the sealing S type,

with the labyrinth between the sheet part and the rubber lip that conducts the contact sealing. The friction and speeds are the same as with S but has much better protection

against rough impurity particles. It is very good sealing system: the sheet part protects the seal from the soil, dust and

rough particles. At the same time makes the labyrinth with the rubber part. The rubber part provides the contact sealing that prevents the penetration of the finer impurities, water, moisture, steam etc. Suitable for heavier conditions due to better protection against foreign matters. It is used with the Y bearings (standard).

