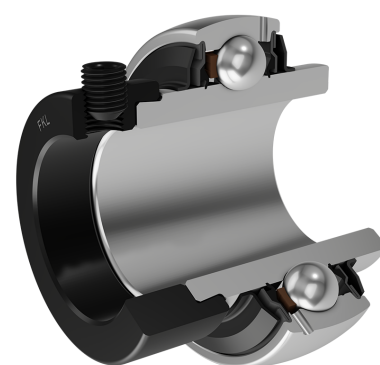
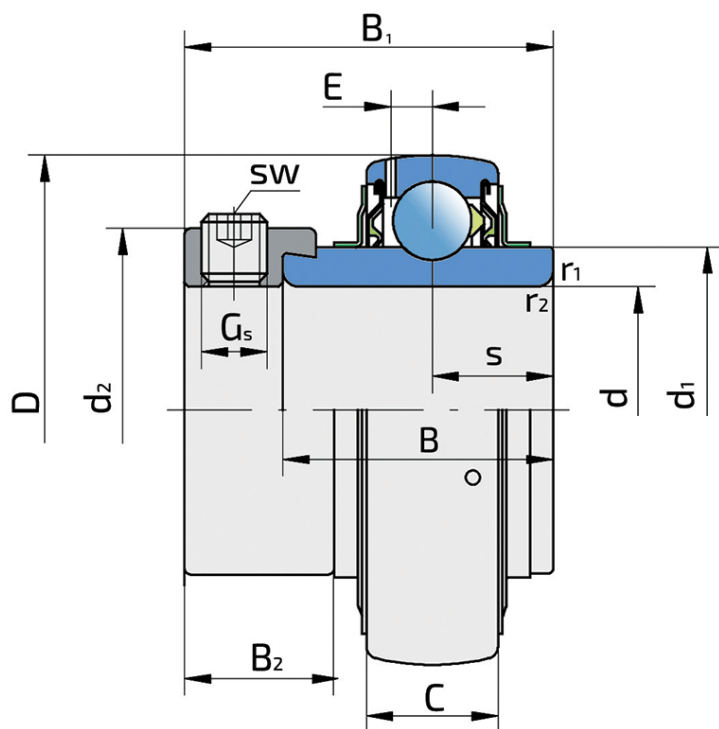


Y-Ball Bearings With Eccentric Locking Collar

LY 314 2F

Y-Ball Bearings With Eccentric Locking Collar



Technical Specification

d	Bore diameter	70 mm
D	Outside diameter	150 mm
B	Width inner ring	92.1 mm
C	Width outer ring	41 mm
s	Distance from inner ring side face to raceway centre	34.2 mm
d1	Outer diameter inner ring	94.9 mm
E	Distance from raceway centre to the hole for lubrication	10 mm
Gs	Set screw	M12x1.5 mm
sw	Hexagonal key size for set screw	6 mm
r1,2	Inner ring Chamfer dimension	2.1 mm
r3,4	Outside ring Chamfer dimension	2.1 mm
B1	Width inner ring with locking collar	68.3 mm
d2	Locking collar outside diameter	102 mm
B2	Width locking collar	30.2 mm
Cdyn	Dynamic load rating	104 kN
Co	Static load rating	68 kN
Pu	Fatigue load limit	2.75 kN
kg	Mass	4.4 kg

Sealing

F SEAL / F SEAL (2F)

Dual sealing, protection cover placed on the inner ring protects against rough impurity particles and makes the labyrinth with the sheet part of the seal; then the sealing S type,

with the labyrinth between the sheet part and the rubber lip that conducts the contact sealing. The friction and speeds are the same as with S but has much better protection

against rough impurity particles. It is very good sealing system: the sheet part protects the seal from the soil, dust and

rough particles. At the same time makes the labyrinth with the rubber part. The rubber part provides the contact sealing that prevents the penetration of the finer impurities, water, moisture, steam etc. Suitable for heavier conditions due to better protection against foreign matters. It is used with the Y bearings (standard).

