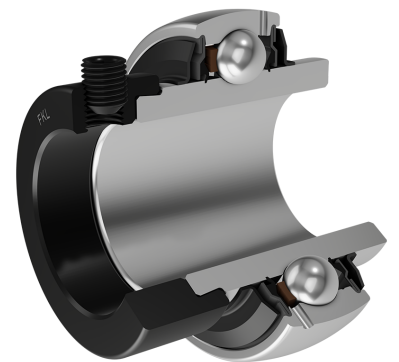
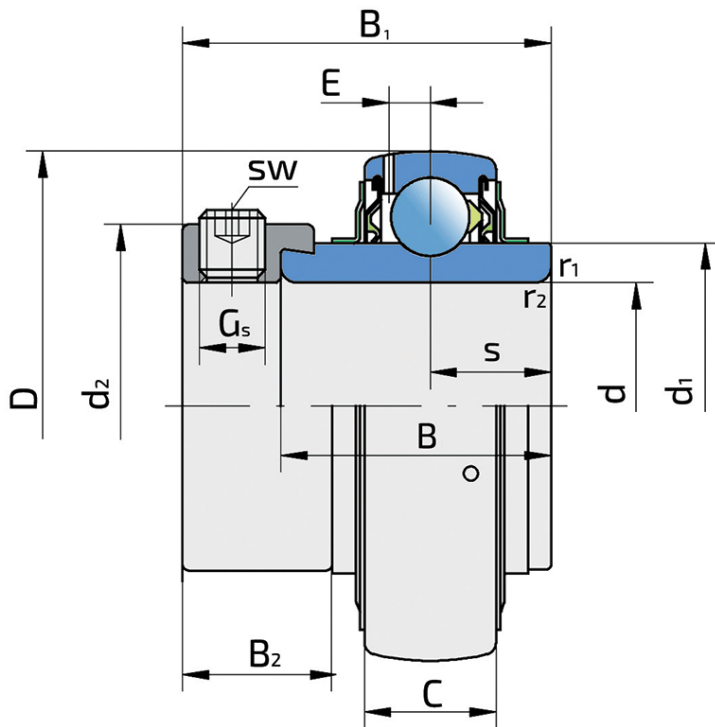


# Y-Ball Bearings With Eccentric Locking Collar

## LY 311 2F

Y-Ball Bearings With Eccentric Locking Collar



### Technical Specification

d	Bore diameter	55 mm
D	Outside diameter	120 mm
B	Width inner ring	55.6 mm
C	Width outer ring	34 mm
s	Distance from inner ring side face to raceway centre	27.8 mm
d1	Outer diameter inner ring	75.3 mm
E	Distance from raceway centre to the hole for lubrication	8.5 mm
Gs	Set screw	M10x1 mm
sw	Hexagonal key size for set screw	5 mm
r1,2	Inner ring Chamfer dimension	2 mm
r3,4	Outside ring Chamfer dimension	2 mm
B1	Width inner ring with locking collar	73 mm
d2	Locking collar outside diameter	83 mm
B2	Width locking collar	22.2 mm
Cdyn	Dynamic load rating	71.5 kN
Co	Static load rating	45 kN
Pu	Fatigue load limit	1.9 kN
kg	Mass	2.34 kg

## Sealing

---

### F SEAL / F SEAL (2F)

Dual sealing, protection cover placed on the inner ring protects against rough impurity particles and makes the labyrinth with the sheet part of the seal; then the sealing S type,

with the labyrinth between the sheet part and the rubber lip that conducts the contact sealing. The friction and speeds are the same as with S but has much better protection

against rough impurity particles. It is very good sealing system: the sheet part protects the seal from the soil, dust and

rough particles. At the same time makes the labyrinth with the rubber part. The rubber part provides the contact sealing that prevents the penetration of the finer impurities, water, moisture, steam etc. Suitable for heavier conditions due to better protection against foreign matters. It is used with the Y bearings (standard).

