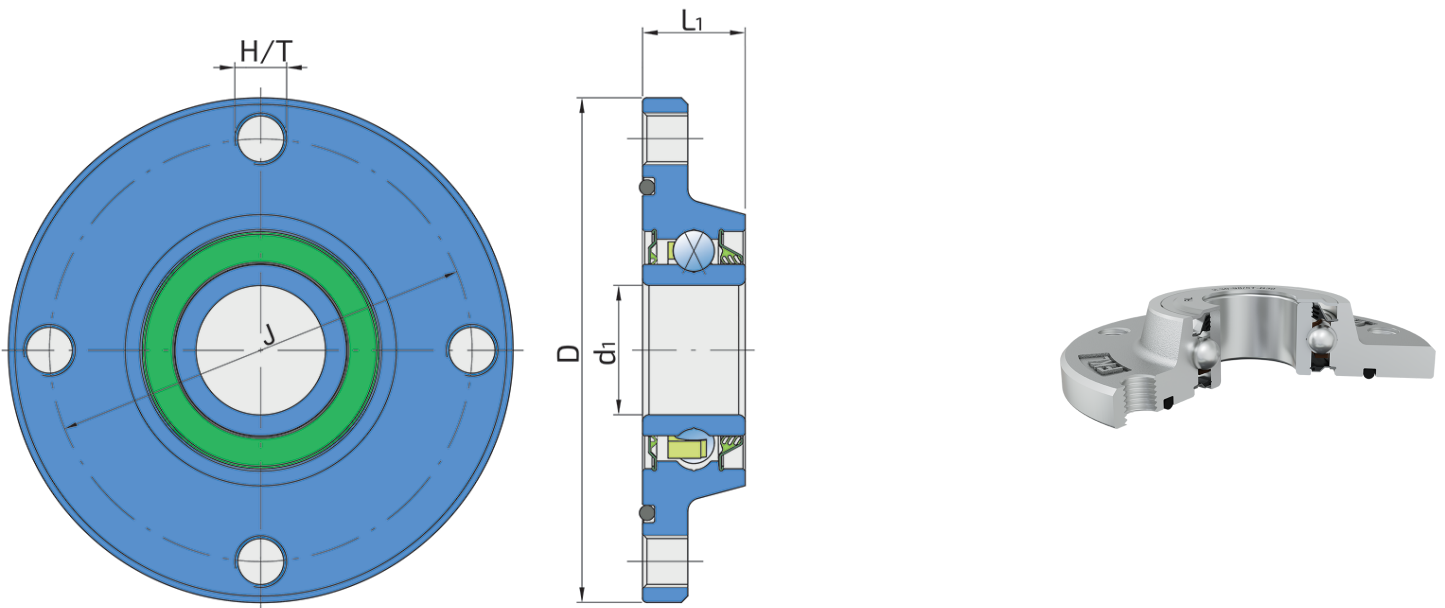


# The Bearing Solution For Harsh Seeding Conditions And Coulter Discs Of Ploughs, Integrated Flange

## IL30-98/5T-B30

The Bearing Solution For Harsh Seeding Conditions And Coulter Discs Of Ploughs, Integrated Flange

Seeding machines for No-till and Strip-till farming technology; Coulter discs for seeding machines; Marker discs for ploughs



### Technical Specification

J	Pitch circle diameter	98 mm
D	Outside diameter	117 mm
H/T	Hole/Thread	5xM12x1.5 mm
d1	Bore diameter	30 mm
L1	Total flange length	24.8 mm
kg	Mass	0.93 kg
Cdyn	Dynamic load rating	29.6 kN
Co	Static load rating	21 kN
Pu	Fatigue load limit	0.88 kN

## Sealing

---

### S SEAL / T SEAL

S seal on the base side and 3-lip seal on the front side which is exposed to contaminants.

The 3-lip seal on the front side protects the bearing from contaminant penetration.

