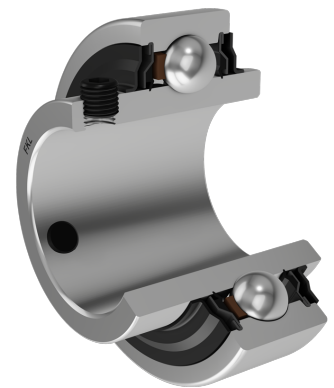
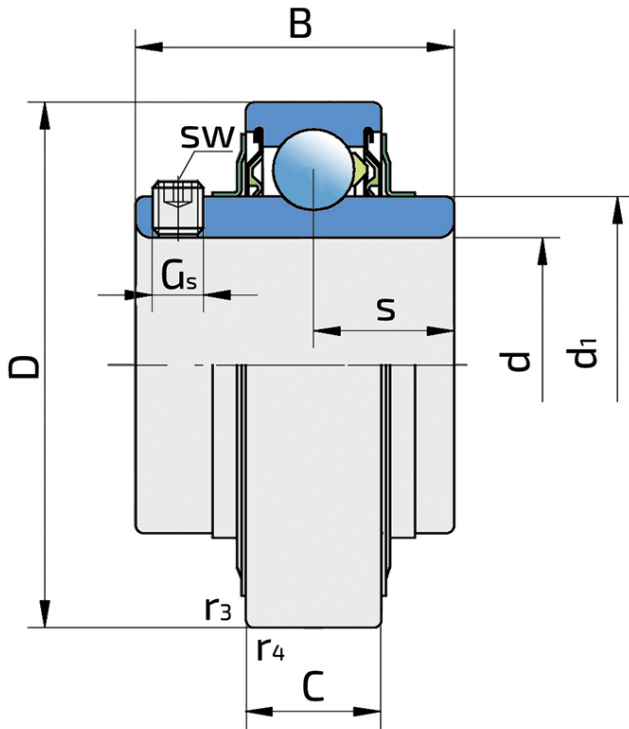
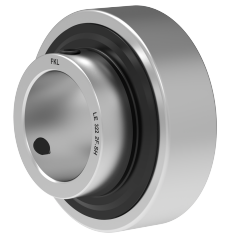


Y-Ball Bearings With Grub Screw Locking

LE 322 2F.SH

Y-Ball Bearings With Grub Screw Locking



Technical Specification

d	Bore diameter	110 mm
D	Outside diameter	240 mm
B	Width inner ring	117 mm
C	Width outer ring	60 mm
s	Distance from inner ring side face to raceway centre	46 mm
d1	Outer diameter inner ring	149 mm
E	Distance from raceway centre to the hole for lubrication	18 mm
Gs	Set screw	M18x1.6 mm
sw	Hexagonal key size for set screw	10 mm
r1,2	Inner ring Chamfer dimension	3 mm
r3,4	Outside ring Chamfer dimension	3 mm
Cdyn	Dynamic load rating	203 kN
Co	Static load rating	180 kN
Pu	Fatigue load limit	5.7 kN
kg	Mass	15.1 kg

Sealing

F SEAL / F SEAL (2F)

Dual sealing, protection cover placed on the inner ring protects against rough impurity particles and makes the labyrinth with the sheet part of the seal; then the sealing S type,

with the labyrinth between the sheet part and the rubber lip that conducts the contact sealing. The friction and speeds are the same as with S but has much better protection

against rough impurity particles. It is very good sealing system: the sheet part protects the seal from the soil, dust and

rough particles. At the same time makes the labyrinth with the rubber part. The rubber part provides the contact sealing that prevents the penetration of the finer impurities, water, moisture, steam etc. Suitable for heavier conditions due to better protection against foreign matters. It is used with the Y bearings (standard).

