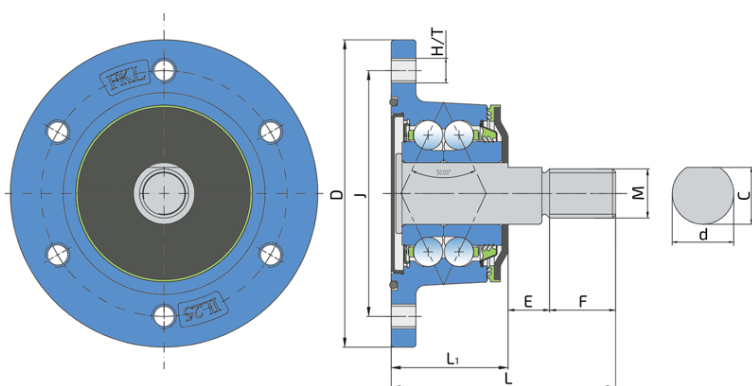


The Bearing Solution For Seeding Machines, Integrated Flange

IL25-80/6T-M16-T

The Bearing Solution For Seeding Machines, Integrated Flange
Front cutting disc



Technical Specification

J	Pitch circle diameter	80 mm
D	Outside diameter	100 mm
H/T	Hole/Thread	6xM8 mm
d	Bore diameter	20 mm
C	D-shape hole cut out dimension	18.5 mm
M	Outer Thread	M16 mm
L	Total length	73 mm
L1	Total flange length	38 mm
E	Length of D shape	11 mm
F	Length of threaded part	24 mm
kg	Mass	0.99 kg
C _{dyn}	Dynamic load rating	32 kN
C _o	Static load rating	22 kN
P _u	Fatigue load limit	0.92 kN

Sealing

O-RING+ SHEET METAL SHIELD+RS SEAL / DOUBLE T SEAL+METAL PROTECTIVE COVER

O-ring, Sheet metal shield and RS seal on the base side and the 3-lip seal, reinforced with frontal 3-lip seal and Metal protective cover on the front side, which is exposed to the contaminants.

O-ring, Sheet metal shield and RS seal together with attached disc eliminates the possibility of contamination from the base side.

The 3-lip seal in combination with the frontal 3-lip seal provides better protection of contamination and extend the bearing life. The Metal protective cover of the frontal 3-lip seal also protect the inner 3-lip seal from mechanical damages.

