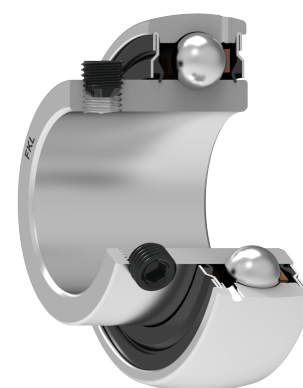
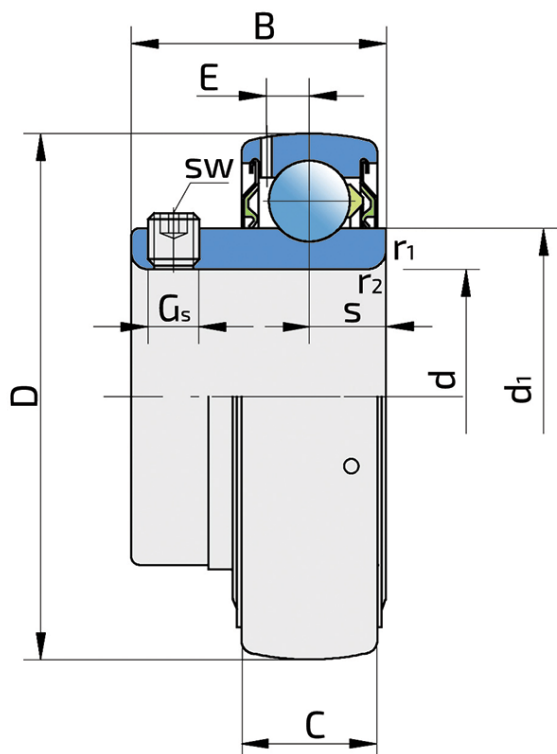


Y-Ball Bearings With Grub Screw Locking

UE 207 2S

Y-Ball Bearings With Grub Screw Locking



Technical Specification

d	Bore diameter	35 mm
D	Outside diameter	72 mm
B	Width inner ring	33 mm
C	Width outer ring	19 mm
s	Distance from inner ring side face to raceway centre	9.7 mm
d1	Outer diameter inner ring	46.1 mm
E	Distance from raceway centre to the hole for lubrication	5.6 mm
Gs	Set screw	M6x0.75 mm
sw	Hexagonal key size for set screw	3 mm
r1,2	Inner ring Chamfer dimension	1 mm
r3,4	Outside ring Chamfer dimension	1 mm
Cdyn	Dynamic load rating	25.5 kN
Co	Static load rating	15.3 kN
Pu	Fatigue load limit	0.655 kN
kg	Mass	0.31 kg

Sealing

S SEAL / S SEAL (2S)

Single lip seal with the labyrinth between the sheet part and the rubber lip which conducts the contact sealing. The friction and speeds are the same as with RS but provides much better protection against the rough impurity particles. This is very good sealing system: the sheet part protects the seal from the soil, dust and rough particles. At the same time makes the labyrinth with the rubber part. The rubber part provides contact sealing which prevents penetration of finer impurities, water, moisture, steam etc. Suitable for neutral conditions because of the presence of the foreign materials. It is used with the Y bearing (standard) and deep groove ball bearings.

