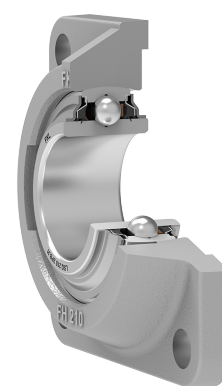
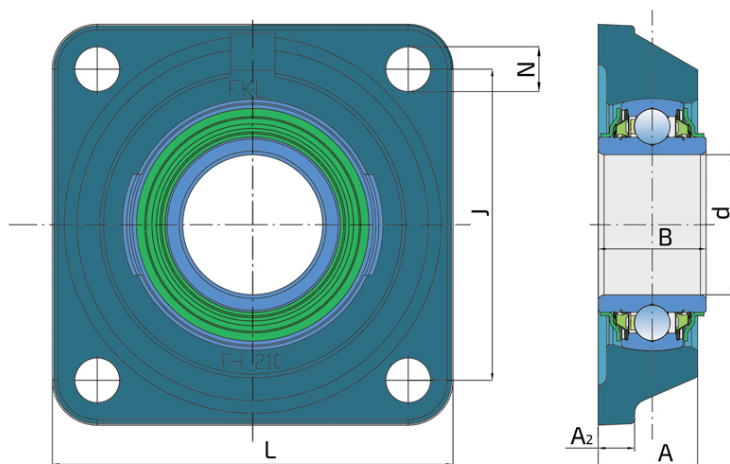


Bearing Unit

LSQFH 210 2PB.H

Bearing Unit
Packer Roller



Technical Specification

J	Distance between the holes	111 mm
L	Total length	143 mm
d	Bore diameter	50 mm
B	Width inner ring	38.4 mm
N	Hole diameter	17 mm
A	Overall width	38.5 mm
A2	Housing flange thickness	13 mm
kg	Mass	2.47 kg
Cdyn	Dynamic load rating	56 kN
Co	Static load rating	45 kN
Pu	Fatigue load limit	1.89 kN

Sealing

PB SEAL / PB SEAL (2PB)

A 5-lip seal with Metal flinger ring on the both side of the bearing, provides equal protection against contamination. 5-lip seal provides a high level of the bearing protection from impurities and due to the special design of the seal the rotation speed can be doubled. The Metal flinger ring protects the seal from mechanical damage.

