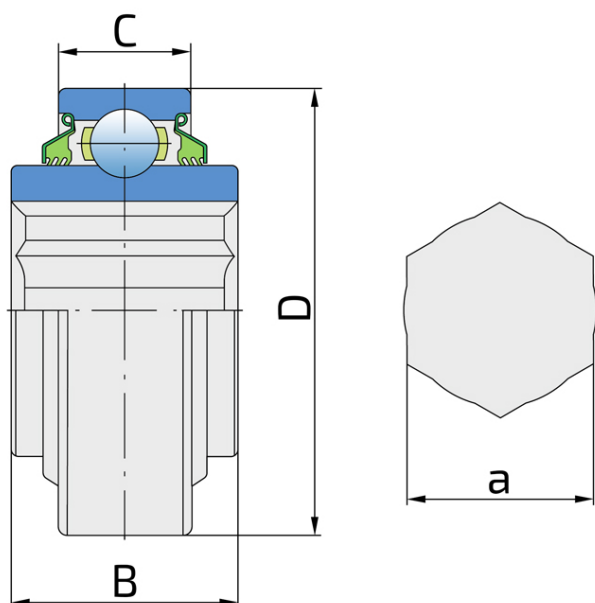


# Hexagonal Bore Series With Cylindrical Outer Ring - Non-Relubricable Type

## W312KPP51

Hexagonal Bore Series With Cylindrical Outer Ring - Non-Relubricable Type  
Packer Baler



### Technical Specification

D	Outside diameter	130 mm
B	Width inner ring	48 mm
C	Width outer ring	33 mm
a	Shaft size	44.6 mm
C <sub>dyn</sub>	Dynamic load rating	81.7 kN
C <sub>o</sub>	Static load rating	51.8 kN
P <sub>u</sub>	Fatigue load limit	2.176 kN

## Sealing

---

### T SEAL / T SEAL (2T)

3-lip seal on the both side of the bearing, provides equal protection against contamination. Recommended for application where the possibility of contamination is the same on the both side.

