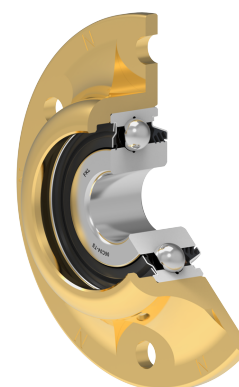
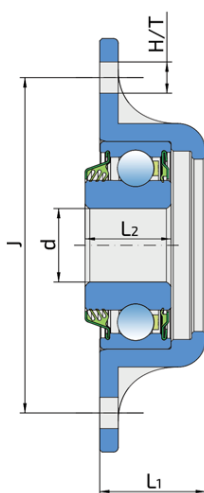
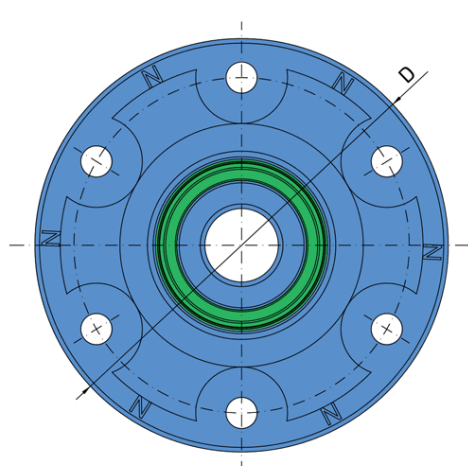


# Bearing Units (Angular contact ball bearings in pressed steel housing)

## PL90-73/6H-B16

Bearing Units (Angular contact ball bearings in pressed steel housing)

Seeding Machines



### Technical Specification

d	Bore diameter	16 mm
D	Outside diameter	90 mm
J	Pitch circle diameter	73 mm
H/T	Hole/Thread	6x6.8 mm
L1	Total flange length	23 mm
L2	Bearing width	18.67 mm
kg	Mass	0.4 kg
Cdyn	Dynamic load rating	60 kN
Co	Static load rating	45.8 kN
Pu	Fatigue load limit	1.924 kN

## Sealing

---

### T SEAL / S SEAL

3-lip seal on the base side and the S seal on the front side. 3-lip seal on the base side also protected with attached disc, protecting the bearing from contamination. S seal on the front side eliminates bearing contaminants.

