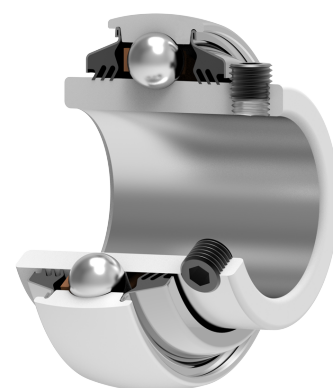
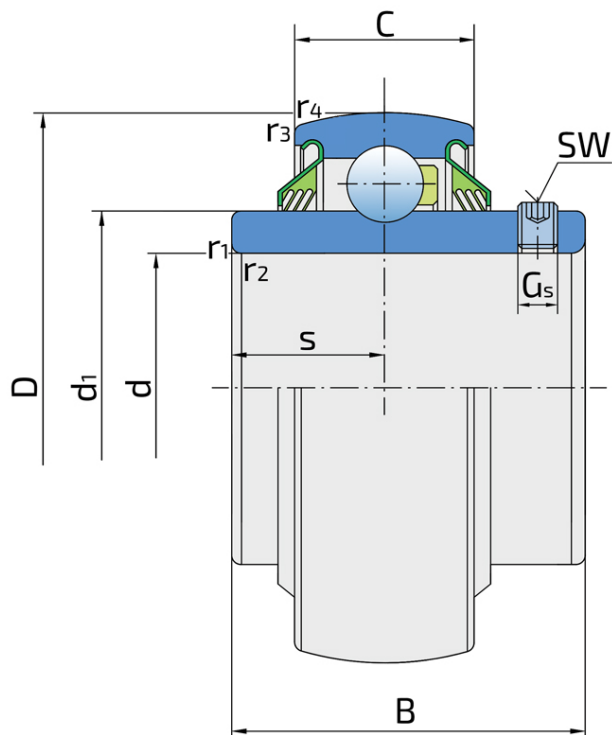


# Y-Ball Bearings With Grub Screw Locking

## LE 206 2T.H

Y-Ball Bearings With Grub Screw Locking



### Technical Specification

d	Bore diameter	30 mm
D	Outside diameter	62 mm
B	Width inner ring	38.1 mm
C	Width outer ring	18 mm
s	Distance from inner ring side face to raceway centre	15.9 mm
d1	Outer diameter inner ring	39.7 mm
Gs	Set screw	M6x0.75 mm
sw	Hexagonal key size for set screw	3 mm
r1,2	Inner ring Chamfer dimension	0.6 mm
r3,4	Outside ring Chamfer dimension	0.6 mm
C <sub>dyn</sub>	Dynamic load rating	19.5 kN
C <sub>o</sub>	Static load rating	11.2 kN
P <sub>u</sub>	Fatigue load limit	0.475 kN
kg	Mass	0.28 kg

## Sealing

---

### T SEAL / T SEAL (2T)

3-lip seal on the both side of the bearing, provides equal protection against contamination. Recommended for application where the possibility of contamination is the same on the both side.

