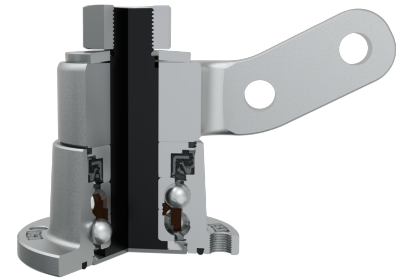
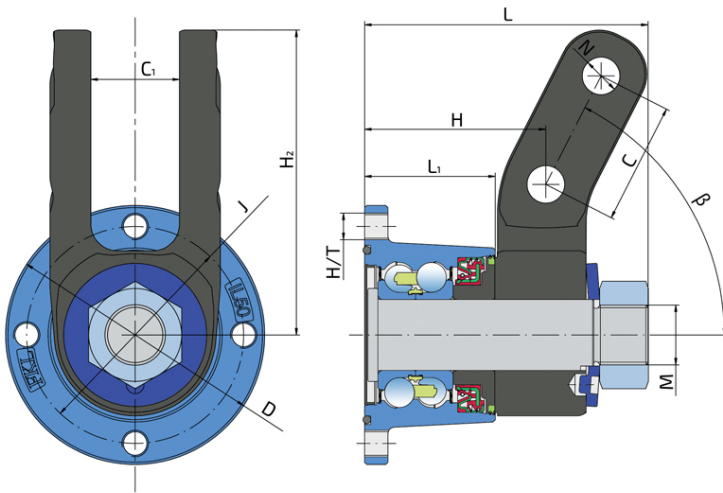
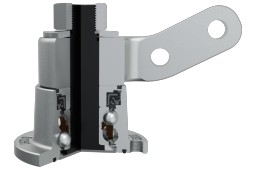


Integrated Flange, Maintenance-Free Bearing For Independent Discs

IL50-98/4T-44

Integrated Flange, Maintenance-Free Bearing For Independent Discs
Disc Harrow



Technical Specification

J	Pitch circle diameter	98 mm
D	Outside diameter	117 mm
C	Distance between holes	55 mm
C1	Disk harrow arm width	40 mm
M	Outer Thread	M27x2 mm
H/T	Hole/Thread	4xM12x1.25 mm
H2	Distance between the bearing axis and the end of the holder	137.7 mm
N	Hole diameter	17 mm
L	Total length	128 mm
L1	Total flange length	59 mm
β	Angle of the holder	63 °
kg	Mass	2.5 kg
Cdyn	Dynamic load rating	60 kN
Co	Static load rating	45.8 kN
Pu	Fatigue load limit	1.92 kN

Sealing

O-RING + SHEET METAL SHIELD + RS SEAL / RS SEAL + DIRTBLOCK SEAL + DOUBLE SEAL + FORGED COVER PLATE

O-ring, Sheet metal shield and RS seal on the base side and RS seal, Dirtblock seal, Double seal and Forged cover plate on the front side which is exposed to contaminants. O-ring, Sheet metal shield and RS seal together with attached special disc eliminates the possibility of contamination from the base side. Dirtblock seal is designed for hard working conditions at unfriendly environment. Half metal – half rubber outside diameter provides reliable seal retention in the bore and improves sealing performance. Inside diameter is covered by rubber and improves sealing performance and easy installation. Forged cover plate is additional, strong protection of the Dirtblock seal against mechanical damage. Additional double seal protects the bearing from contaminant penetration and ensures a longer service life of the bearing.

