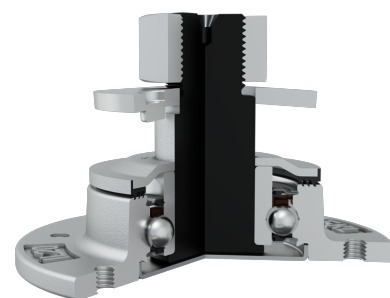
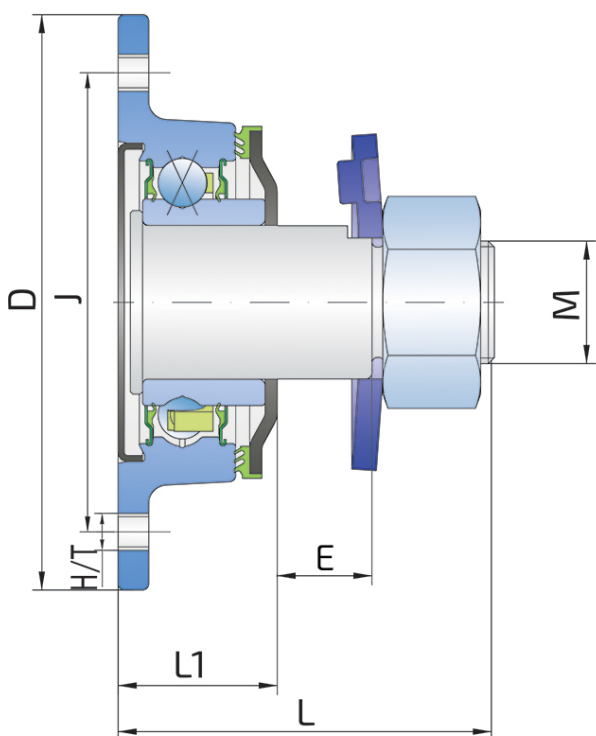


The Bearing Solution For Seeding Machines, Integrated Flange

IL20-75/6T-M20x1.5-T-44

The Bearing Solution For Seeding Machines, Integrated Flange
Seeding Machine



Technical Specification

J	Pitch circle diameter	75 mm
D	Outside diameter	94 mm
H/T	Hole/Thread	6xM6 mm
d	Bore diameter	25 mm
M	Outer Thread	M20x1.5 mm
C	D-shape hole cut out dimension	23 mm
L	Total length	61 mm
L1	Total flange length	26 mm
F	Length of threaded part	20 mm
E	Length of D shape	15 mm
kg	Mass	0.77 kg
C _{dyn}	Dynamic load rating	22 kN
C _o	Static load rating	15.2 kN
P _u	Fatigue load limit	0.64 kN

Sealing

SHEET METAL SHIELD+S SEAL / S SEAL+T SEAL+METAL PROTECTIVE COVER

Sheet metal shield and S seal on the base side and the S seal reinforced with frontal 3-lip seal and Metal protective cover on the front side, which is exposed to the contaminants.

Sheet metal shield and S seal together with attached disc reduce the possibility of contamination from the base side.

The S seal in combination with the frontal 3-lip seal provides better protection of contamination and extend the bearing life. The Metal protective cover of the frontal 3-lip seal also protect the inner 3-lip seal from mechanical damages.

